

**BRYSTON**  
**BLP-1 & BTP-1** Turntable System

**Owner's Manual**



## Important Safety Instructions





The lightning flash with arrowhead symbol within an equilateral triangle, is intended to alert the user to the presence of un-insulated “dangerous voltage” within the product’s enclosure that may be of sufficient magnitude to constitute a risk of electric shock to persons.



The exclamation point within an equilateral triangle is intended to alert the user to the presence of important operating and maintenance (servicing) instructions in the literature accompanying the product.

1. Read these instructions.
2. Keep these instructions.
3. Heed all warnings.
4. Follow all instructions.
5. Do not use this apparatus near water.
6. Clean only with dry cloth.
7. Do not block any ventilation openings. Install in accordance with the manufacturer’s instructions.
8. Do not install near any heat sources such as radiators, heat registers, stoves, or other apparatus (including amplifiers) that produce heat.
9. Do not defeat the safety purpose of the polarized or grounding-type plug. A polarized plug has two blades with one wider than the other. A grounding type plug has two blades and a third grounding prong. The wide blade or the third prong are provided for your safety. If the provided plug does not fit into your outlet, consult an electrician for replacement of the obsolete outlet.
10. Protect the power cord from being walked on or pinched particularly at plugs, convenience receptacles, and the point where they exit from the apparatus.

11. Only use attachments/accessories specified by the manufacturer.
12.  Use only with the cart, stand, tripod, bracket, or table specified by the manufacturer, or sold with the apparatus. When a cart is used use caution when moving the cart/apparatus combination to avoid injury from tip-over.
13.  Any terminals marked with the preceding symbol are HAZARDOUS LIVE and any wiring connected to these terminals must be installed by an INSTRUCTED PERSON or with ready-made leads or cords.
14. Unplug this apparatus during lightning storms or when unused for long periods of time.
15. Refer all servicing to qualified service personnel. Servicing is required when the apparatus has been damaged in any way, such as power-supply cord or plug is damaged, liquid has been spilled or objects have fallen into the apparatus, the apparatus has been exposed to rain or moisture, does not operate normally, or has been dropped.

**WARNING: TO REDUCE THE RISK OF FIRE OR ELECTRIC SHOCK, DO NOT EXPOSE THIS APPARATUS TO RAIN OR MOISTURE. DO NOT EXPOSE THIS EQUIPMENT TO DRIPPING OR SPLASHING AND ENSURE THAT NO OBJECTS FILLED WITH LIQUIDS, SUCH AS VASES, ARE PLACED ON THE EQUIPMENT. TO COMPLETELY DISCONNECT THIS EQUIPMENT FROM THE AC MAINS, DISCONNECT THE POWER SUPPLY CORD PLUG FROM THE AC RECEPTACLE. THE MAINS PLUG OF THE POWER SUPPLY CORD SHALL REMAIN READILY OPERABLE.**

### BRYSTON LIMITED WARRANTY

Bryston analog audio products are warranted to be free from manufacturing defects for twenty (20) years from the original date of manufacture. The warranty includes parts and labour. Bryston digital products and cables are warranted for five years from the original date of manufacture. The warranty includes parts and labour.

Bryston products having motorized moving parts, excluding motorized volume controls, are warranted for three years from the original date of manufacture. The warranty includes parts and labour.

Bryston will remedy the problem by repair or replacement, as we deem necessary, to restore the product to full performance. Bryston will pay return shipping only for the full length of the specific product’s warranty.

In the event of a defect or malfunction, contact Bryston’s repair centers for return authorization. Products must be returned using original packaging material only. Packing material may be purchased from Bryston if necessary. This warranty is considered void if the defect, malfunction or failure of the product or any component part was caused by damage (not resulting from a defect or malfunction) or abuse while in the possession of the customer. Tampering by persons other than factory authorized service personnel or failure to fully comply with Bryston operating instructions voids the warranty. This warranty gives you specific legal rights and you may also have other rights which may vary from province to province and country to country. As of 2006-02-22 Bryston will only warranty Bryston products purchased through authorized Bryston dealers. Bryston products with a date code of 0608 or higher (date code format is “yyww”, where “yy” is the two least significant digits of the year and “ww” is the week of the year) must be accompanied by a copy of the bill-of-sale from a Bryston authorized dealer to qualify for warranty service. The warranty is transferable from the original owner to a subsequent owner as long as a copy of the bill-of-sale from the original authorized Bryston dealer accompanies the re-sale. The copy of the bill of sale to any subsequent owner need ONLY include the Name of the Bryston Authorized Dealer and the Model and Serial number of the Bryston product. The warranty will only be honored in the country of the original purchase unless otherwise pre-authorized by Bryston.

#### BRYSTON SERVICE in CANADA:

Postal address: P.O. BOX 2170, Stn. Main  
PETERBOROUGH, ONTARIO  
CANADA K9J 7Y4

Courier address: 677 NEAL DRIVE  
PETERBOROUGH, ONTARIO  
CANADA K9J 6X7

PHONE: 705-742-5325  
FAX: 705-742-0882  
E-mail: cdnser@bryston.com

#### BRYSTON SERVICE in the USA:

79 COVENTRY ST., Suite 5  
NEWPORT, VERMONT  
U.S.A. 05855-2100

PHONE: 802-334-1201  
FAX: 802-334-6658  
E-mail: usaser@bryston.com

#### BRYSTON SERVICE outside Canada and the USA:

contact your local distributor or

CHECK OUR WEB SITE: [www.bryston.com](http://www.bryston.com)  
E-MAIL BRYSTON DIRECTLY: [cdnser@bryston.com](mailto:cdnser@bryston.com)  
FAX BRYSTON DIRECTLY: 01-705-742-0882  
PHONE BRYSTON DIRECTLY: 01-705-742-5325

## Table of Contents

General.....	3
Welcome .....	3
Description .....	3
Features .....	3
Shipping Box and Packing Material.....	3
Unpacking.....	4
Assembly.....	4
Install the Platter.....	4
Install the Belt .....	4
Install Cartridge.....	5
Install Tonearm Counterweights .....	5
Setup Cartridge .....	5
Azimuth Adjustment .....	6
Vertical Tracking Force .....	6
Dust Cover Friction Adjustment .....	6
Connect BTP-1 Power Supply .....	6
Connecting to Your Audio System .....	6
Playing Records.....	6
Tuning and Maintenance .....	7
BTP-1 Speed Adjustment .....	7
Dimensions .....	7
Specifications .....	7

## General

### Welcome

Thank you for your purchase of a Bryston BLP-1 analog turntable system! Extensive research and development by expert engineers has produced Bryston's first ever turntable system. Like all Bryston products, it is designed to bring musical enjoyment through accurate reproduction of your recordings. Our customers are a valuable resource to whom we turn for a measure of success. We welcome your comments on the BLP-1 and BTP-1.

### Description

The Bryston BLP-1 is a high quality turntable suitable for vinyl record playback and includes the outboard BTP-1 motor power supply with speed control. This system was designed with fidelity to the source as the goal. Many technological developments and features are included in pursuit of this goal including the following items.

## Features

- Mass-loaded rigid 2-speed turntable
- Included outboard BTP-1 Bryston custom motor power supply with selectable speeds
- Low-noise synchronous 33/45 motor with highly polished hourglass spindle
- Titanium tonearm with 7-segment tapered armwand and tungsten bearings and integrated headshell
- Premium tonearm cable
- Vented, non-resonant 30mm thick plinth
- Precision-cut 35mm Delrin® platter
- Modular teflon and graphite bearing system
- Adjustable brushed aluminum feet for leveling.
- Pre-installed dustcover made from thick acrylic with hinge friction adjustment

## Shipping Box and Packing Material

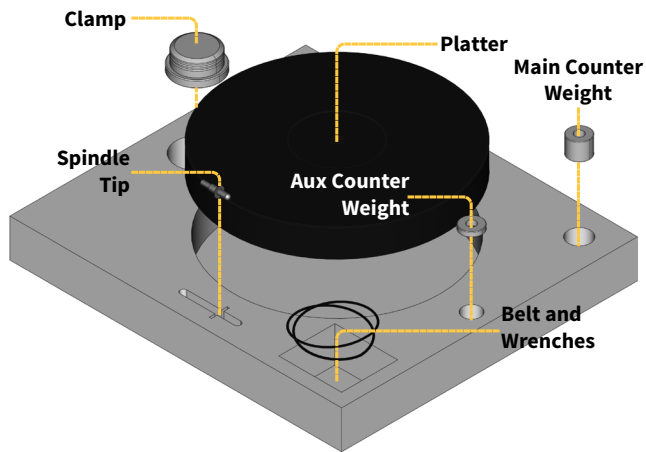
Please keep the original shipping box and all packing material. This will ensure the BLP-1 and BTP-1 are protected in future transport. In the unlikely event you have a problem and must

return it for service, you must use the proper packing material. Ship the unit only in the original packing material, as the unit is not insurable by carriers otherwise. Replacement packing materials consisting of a shipping carton with plastic foam inserts is available from Bryston for a small fee.

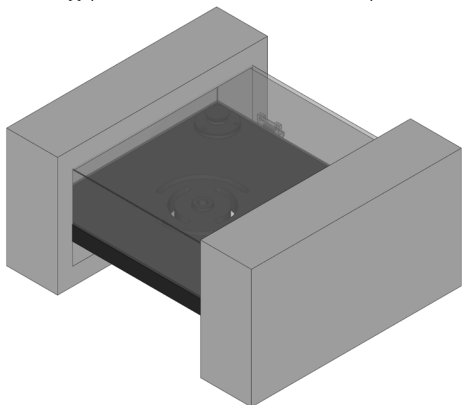
## Unpacking

Both the BLP-1 turntable and the BTP-1 are packed together. Minimal assembly is required.

1. Open the outer box at the top, remove the 4 foam corner spacers and set aside.
2. Lift the inner box out of the outer box
3. Open the inner box. Gently cut the tape, but do not cut deep to prevent scratching materials packed beneath.
4. Remove foam top sheet to reveal top pack containing the following:



5. Remove top pack containing parts to reveal the remaining parts of the turntable preassembled.



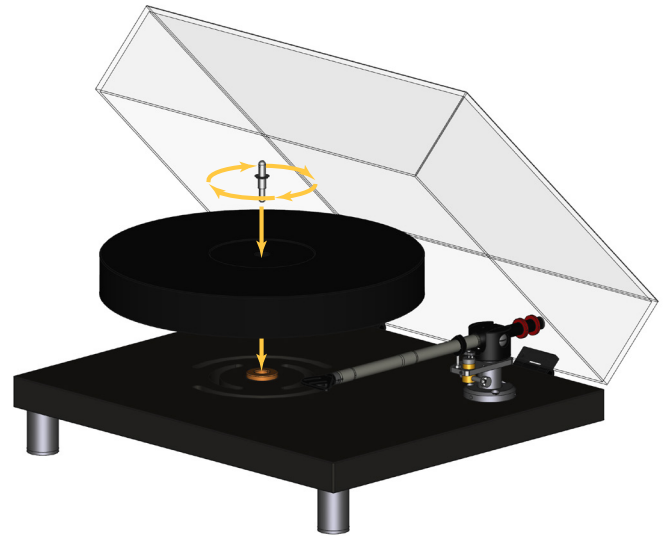
The BTP-1 Power Supply is boxed and packed beneath the turntable in the bottom.

## Assembly

Now that the BLP-1 and BTP-1 are unpacked, select the final location of your turntable system and prepare for assembly. This location should be sturdy, immune from vibration, level, and away from RFI/EMF radiating electronics.

### Install the Platter

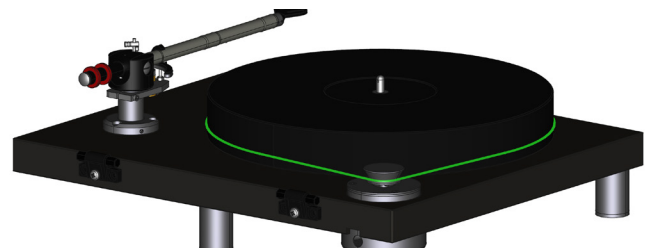
1. Unwrap the platter and remove shrink wrap from the turntable plinth.
2. Place the platter upon the pre-installed spindle.



3. Screw the spindle tip into the spindle through the platter. Gently tighten by hand. The cone shaped profile of the tip perfectly centers the platter upon the spindle.

### Install the Belt

Wrap the belt around the motor pulley and the platter.



## BLP-1 and BTP-1 Turntable System

### Install Cartridge

1. Gently remove the twist-tie holding the cartridge clips into the headshell.
2. Mount the cartridge of your choice (if one is not already mounted) using screws provided with your cartridge. Do not tighten to final torque.
3. Attach cartridge clips according to color coding.

### Install Tonearm Counterweights

Two counterweights are provided in order to set the vertical tracking force (VTF) of the cartridge.

1. Install the large weight first and gently tighten the set screws using the included hex wrench.
2. Install the small weight behind the large weight. Note that there will be significant friction. Twisting the weights makes them easier to move. Do not tighten screws yet.

### Setup Cartridge

The following is a general tutorial on cartridge setup that can be accomplished with reasonable accuracy. Many methods are available and have individual merits to consider. Please consult your dealer. A maximally accurate setup requires additional tools, adherence to their accompanying instructions, and/or the assistance of a qualified expert such as the dealer from whom your turntable was purchased. Bryston recommends you at least have a stylus force gauge to set vertical tracking force.

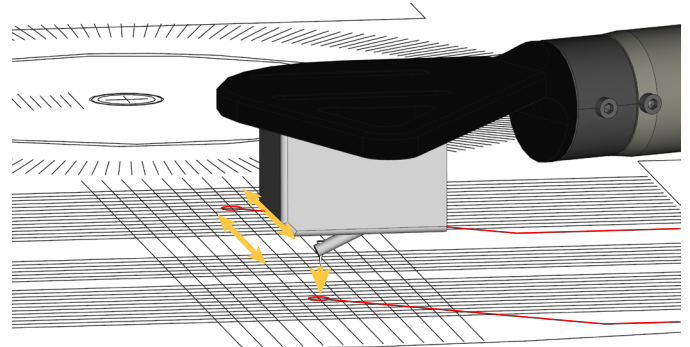
1. Cut and discard the zip tie securing the tone arm into the rest position

Place the included strobe / alignment template over the spindle and onto the platter. Leave the side facing up that indicates the frequency of your strobe lamp if you have one.

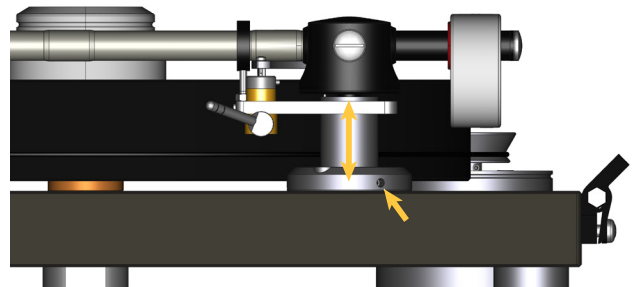
2. Set the overhang by moving the tonearm so that the bottom of the cartridge body rests on the spindle in the center of the platter. The stylus tip should fall at the 15mm mark on the overhang

gauge.

3. When adjusting the cartridge alignment, leave the tonearm lift in the up position. Taking great care to not damage the stylus, place the tonearm over the protractor.
4. Orient the stylus tip so that it lands in the center of small alignment circles marked.
5. A properly aligned cartridge will have a stylus that lands in the center of each of these while the cartridge body front edge remains parallel to the grid lines.

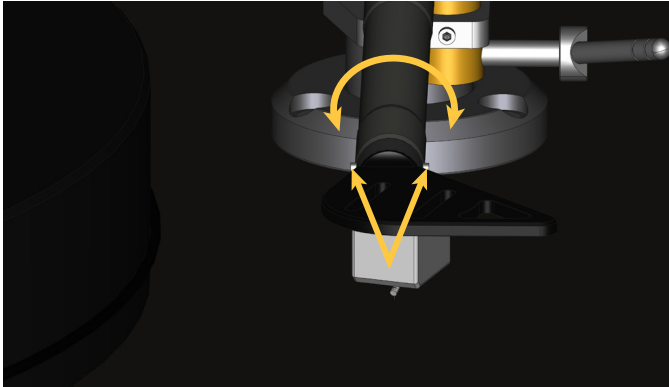


6. Adjust the vertical tracking angle. Loosen the three hex-head set screws located on the arm collar. Raise or lower the arm to achieve target VTA. Note that VTA adjustment isn't an exact process due to different thickness records. In general, the tonearm should be between parallel with the platter and having a gentle downward slope toward the cartridge.



## Azimuth Adjustment

Loosen the two small hex head set screws on either side of the headshell collar. Rotate the headshell so that the bottom plane of the cartridge is parallel with the turntable platter.

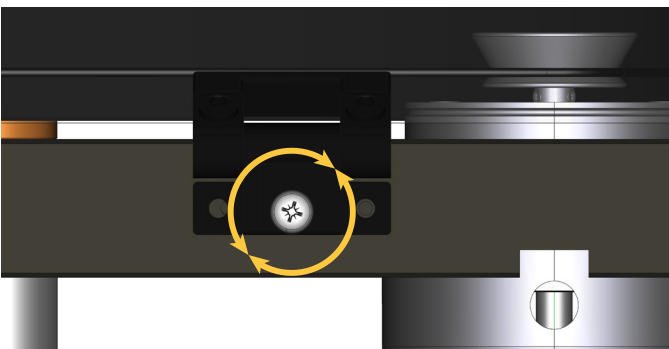


## Vertical Tracking Force

Adjust the counterweights to achieve the desired downforce of your cartridge. Cartridge manufacturers specify VTF in grams. Moving the weights away from the pivot reduce VTF. Many people use the large weight for coarse adjustment and small weight for fine adjustment. Gently tighten screws when complete.

## Dust Cover Friction Adjustment

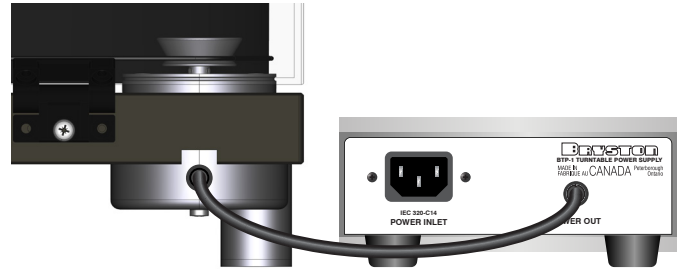
The amount of force required to open or close the dust cover can be adjusted by tightening or loosening the pan head Phillips head screw on each lower hinge plate. A tighter screw means more friction.



## Connect BTP-1 Power Supply

The supplied Bryston BTP-1 power supply both

supplies power to the motor and regulates the speed at which it spins. The BLP-1 motor has a permanently affixed cable terminated with a mini female XLR-3 plug which fits into the back of the BTP-1.



An IEC-320 C14 power inlet provides for connection of the included IEC-320 C13 equipped power cord. Before connecting the power cord to the amplifier, check that the voltage rating on the data plate or ratings label conforms with your locality.

## Connecting to Your Audio System

The BLP-1 comes with a pre-installed audio cable connected to the tonearm. It is terminated with left/right RCA plugs which you can connect to your phono preamplifier. Note that the output level depends on the attached cartridge but in all cases, the output is lower than standard line level source components such as a CD player or tuner. Connect these cables to the input on your preamp marked PHONO or to a dedicated phono preamplifier.

## Playing Records

Playing records on your BLP-1 is an immensely enjoyable experience and is done with ease.

Remove the record clamp from the platter, place a record on the platter and replace the record clamp. Power on the BTP-1. Press the desired speed on your BTP-1 to start the motor and spin up the platter. Gently lift the tonearm by the headshell handle and position the stylus over the lead-in groove of the record. Lower the stylus onto the record by rotating the cueing lever towards the front of the turntable.

## BLP-1 and BTP-1 Turntable System

When playback session is completed, lift the tonearm by rotating the cueing lever away from the front of the turntable. Replace the tonearm into the tonearm rest clamp. Press STOP on the BTP-1 to power off the motor. Do not leave the motor running unnecessarily to prevent premature motor and bearing wear.

### Tuning and Maintenance

Your BLP-1 is designed with care and will provide many years of outstanding playback with little maintenance required.

The belt is made from NBR and should be checked once every two years and replaced if required.

The platter spindle oil is very stable and does not need regular replacement but for every few years. Mobile 1 5W30 is perfectly suitable. The motor and tonearm bearings are specially designed high precision sealed bearings and do not need oil.

The tonearm cueing mechanism is damped by viscous silicone and does not require regular maintenance either.

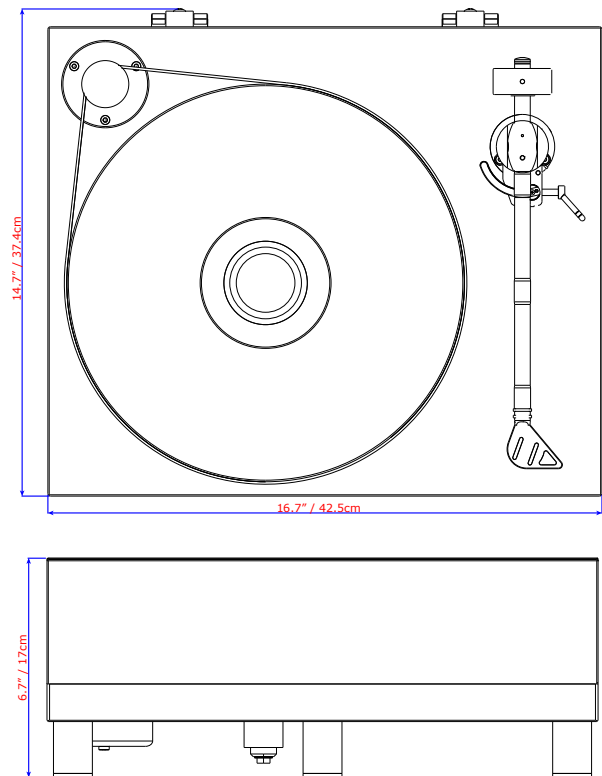
### BTP-1 Speed Adjustment

The BTP-1 is tuned at the factory for precise speed control at both 33 1/3 and 45 RPM and is not susceptible to fluctuations in your AC mains frequency. Should you need to make small adjustments to correct too fast or too slow performance, follow the procedure below.

1. Use a strobe disc and appropriate light to observe platter rotational speed.
2. Initiate platter rotation by powering on the BTP-1 and selecting the desired playback speed.
3. Press and hold the 33 1/3 and 45 buttons together for 1 second. Stop light will blink while in speed adjust mode.
4. Press the 33 1/3 RPM button to decrease speed and 45 RPM button to increase speed. When the target speed is achieved, press and hold the 33

1/3 and 45 RPM buttons again for 1 second and normal operation is resumed.

### Dimensions



### Specifications

BLP-1	
Wow & Flutter	0.02%
Rumble	-82dB
Speed	33 1/3 & 45 +/- 0.1%
Motor	12V Externally Synchronous
Power Consumption	20 Watts
Weight	11.5kg / 25lbs
BTP-1	
Mains Voltage	120V 60Hz or 240V 50 / 60Hz, factory configurable
Input Power	20W Max
Weight	1.95kg / 4.3 lbs
Dimensions W x D x H	5.7 x 8.3 x 2.55 in. 145 x 211 x 65 mm.

Bryston Limited | 677 Neal Drive | Peterborough, Ontario K9J 6X7  
Canada | Phone: 705-742-5325 | [www.bryston.com](http://www.bryston.com)