

SP1.7 SCHEMATICS

01	Table of Contents
02	BALANCED OUTPUT CONNECTIONS 1.3
03	BALANCED OUTPUT DRIVERS
04	MUTE DRIVE 1.0
05	MICRO CONTROLLER 1.4
06	REAR PANEL RCA JACK CONNECTIONS 5.2, REV 1.0
07	REAR PANEL RCA JACK CONNECTIONS 5.0, REV 1.0
08	POWER SUPPLY 1.9 (pg 1 of 2)
09	POWER SUPPLY 1.9 (pg 2 of 2)
10	MAIN BOARD 1.9 (pg 1 of 2)
11	MAIN BOARD 1.9 ANALOG (pg 1 of 2)
12	MAIN BOARD 1.9 ANALOG (pg 2 of 2)
13	DIGITAL AUDIO ENGINE (DAE) 3033
14	DISCRETE OP AMP #1
15	DISCRETE OP AMP #2
16	DISCRETE OP AMP #3A
17	DISCRETE OP AMP #4A
18	DISCRETE OP AMP #3B
19	DISCRETE OP AMP #4B
20	FRONT PANEL BOARD
21	TACT SWITCH MATRIX
22	RS232 DUAL PORT BOARD

J7

- 1
- 2
- 3
- 4
- 5
- 6
- 7
- 8
- 9
- 10
- 11
- 12
- 13
- 14
- 15
- 16
- 17
- 18

DW-18-09-G-S-420

L+

L-

R+

R-

SUB+

SUB-

C+

C-

LS+

LS-

RS+

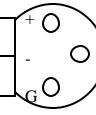
RS-

J1

2

3

1



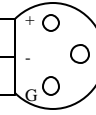
LEFT

J2

2

3

1



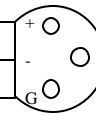
RIGHT

J3

2

3

1



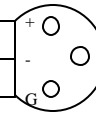
SUB

J4

2

3

1



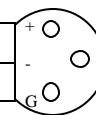
CENTRE

J5

2

3

1



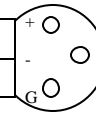
LSURR

J6

2

3

1



RSURR

M1



MISCELLANEOUS

M2



MISCELLANEOUS



Size :

A

Rev :

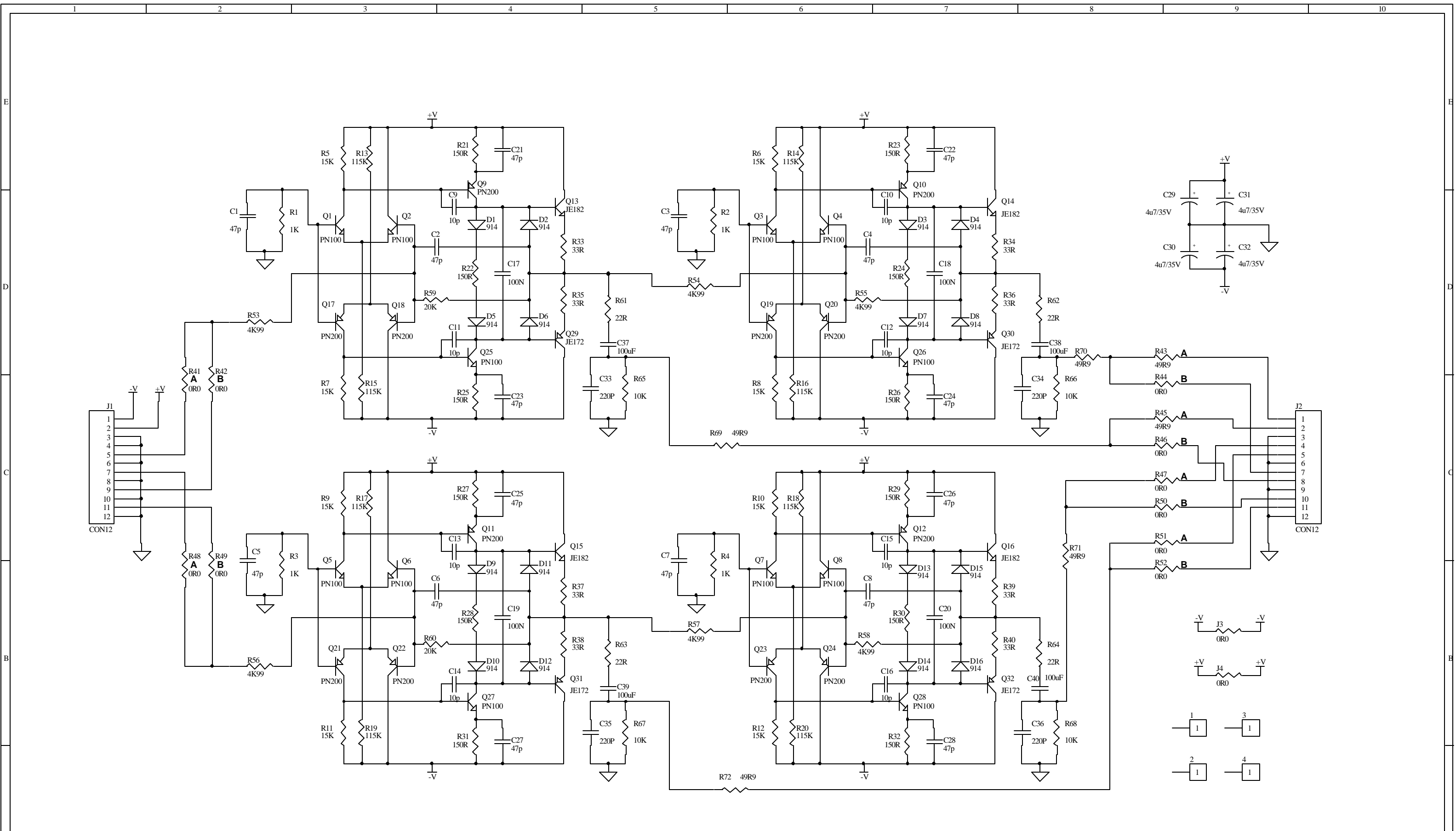
0.0

File : SP1.7_B013.SCH

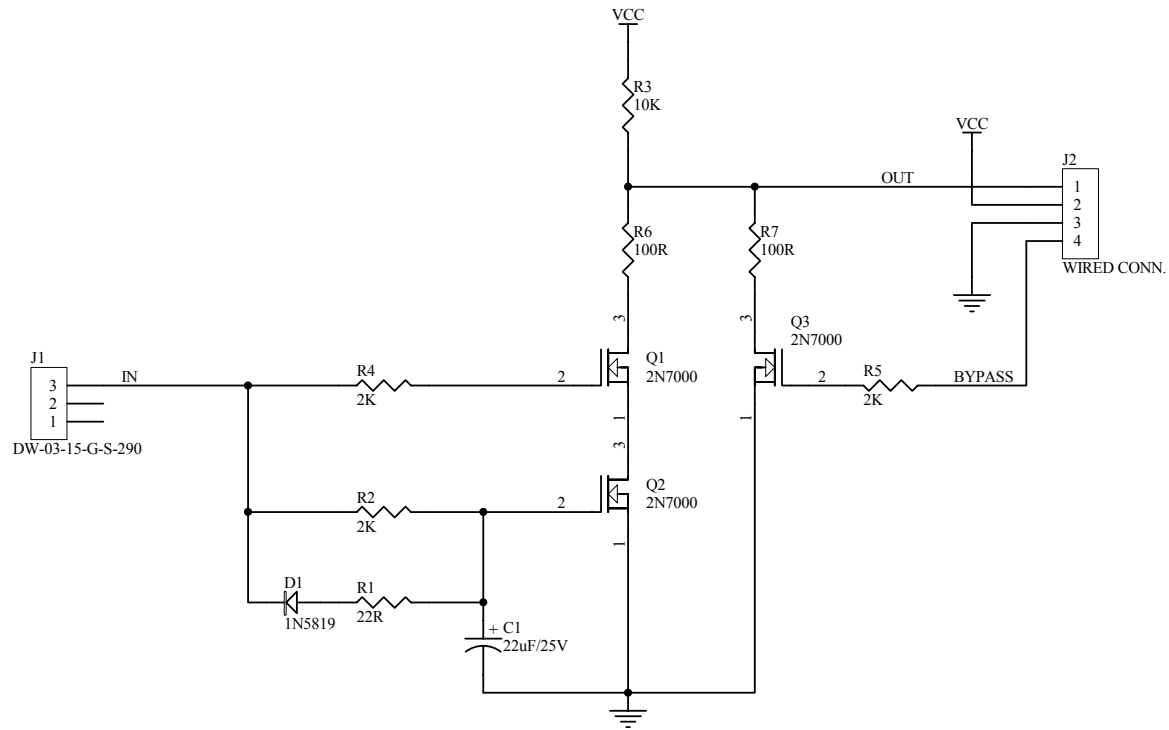
Sheet : 1 of 1

Date : 11-Feb-2003

Drawn : D.M.

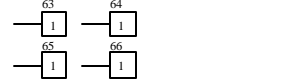
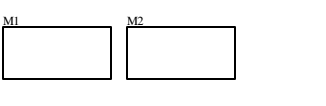
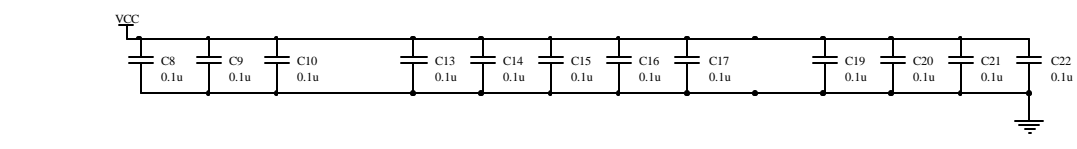
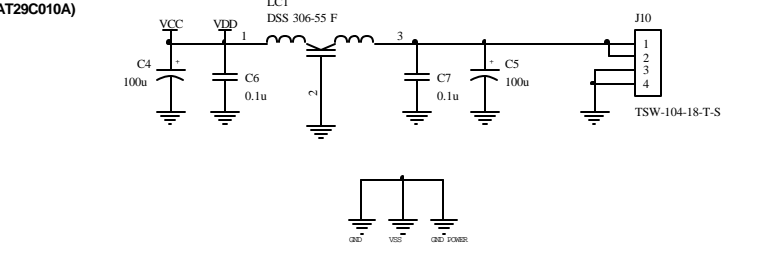
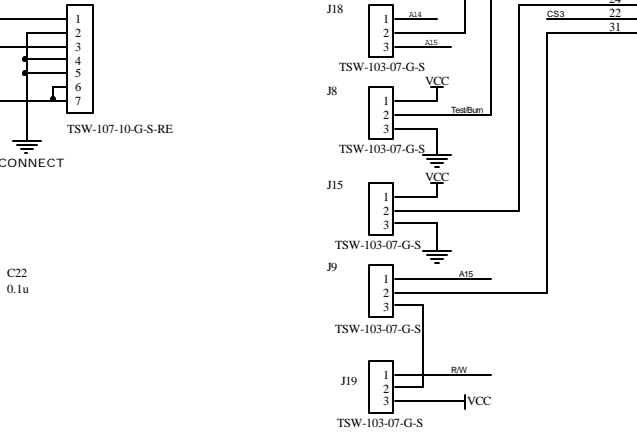
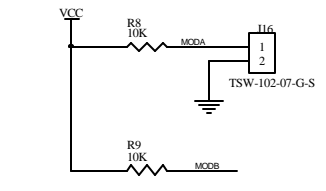
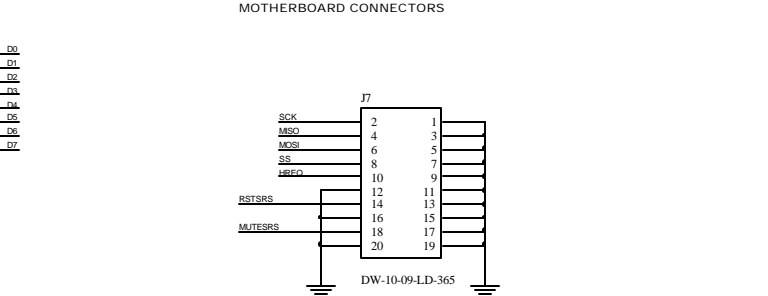
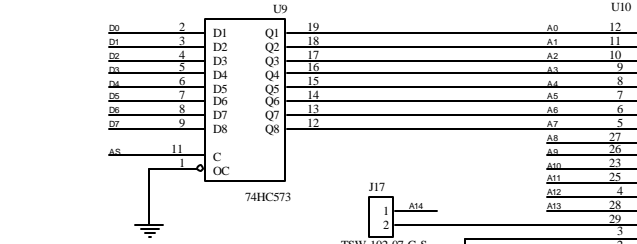
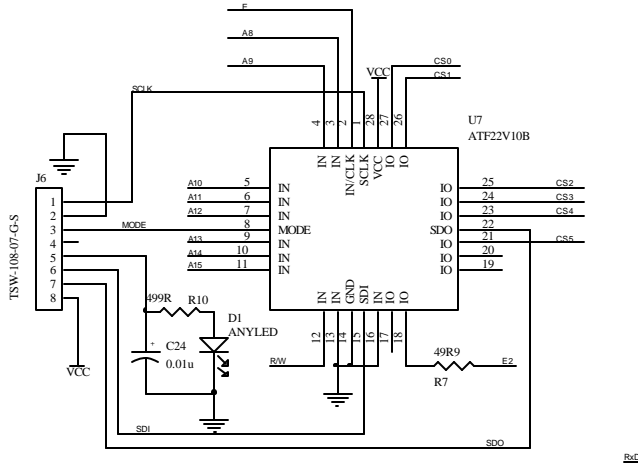
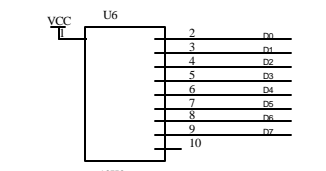
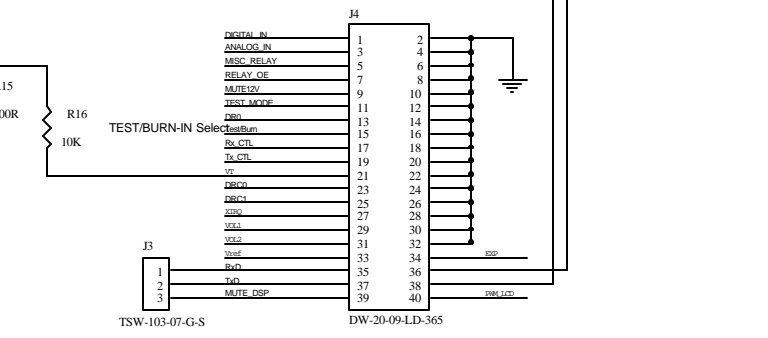
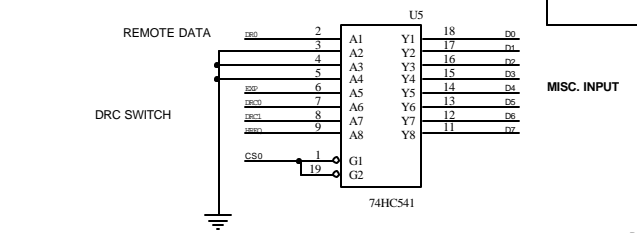
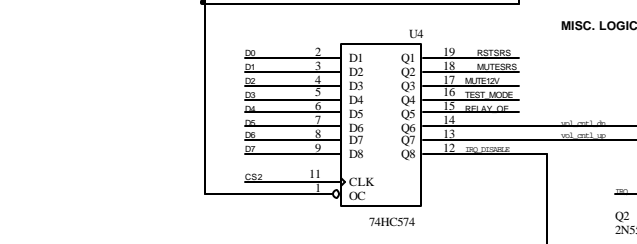
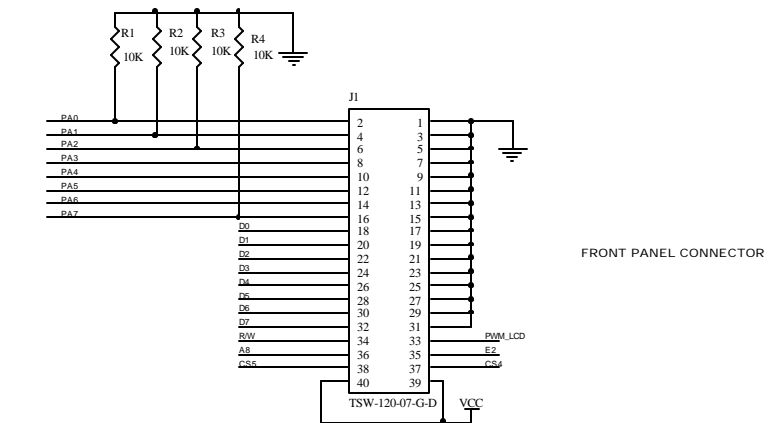
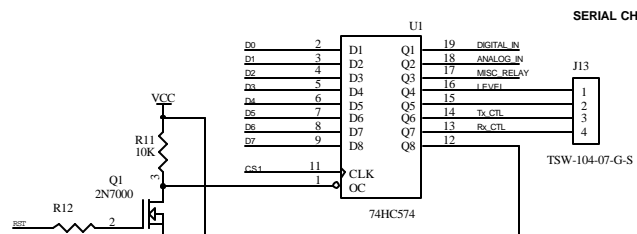
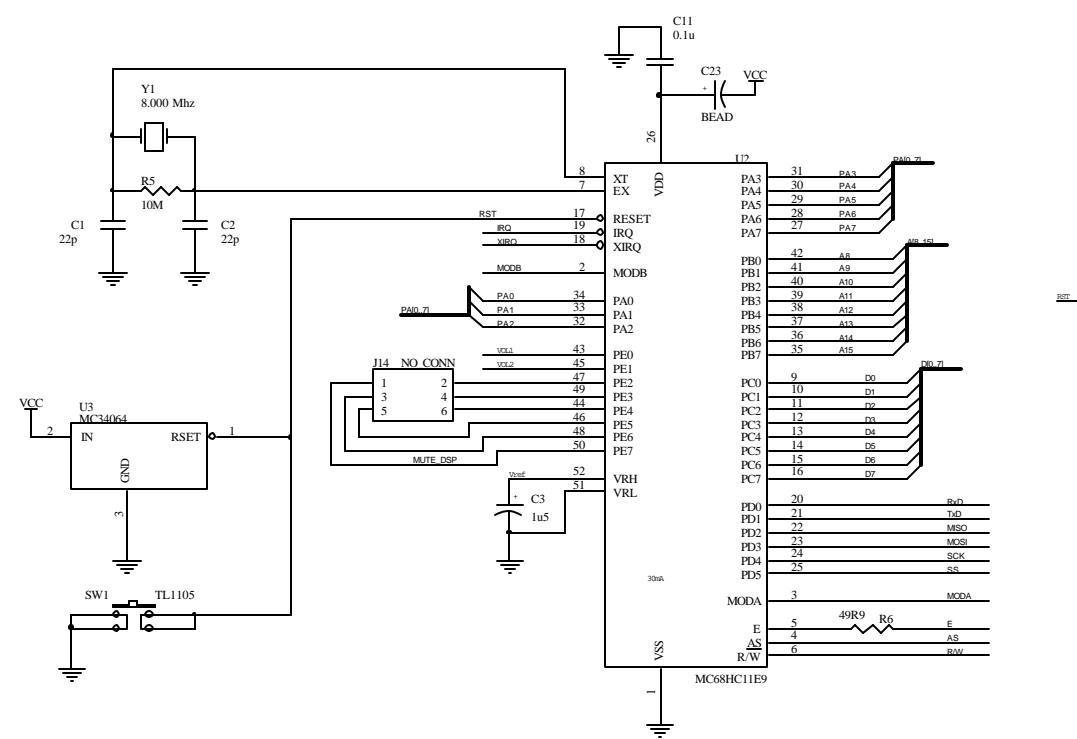


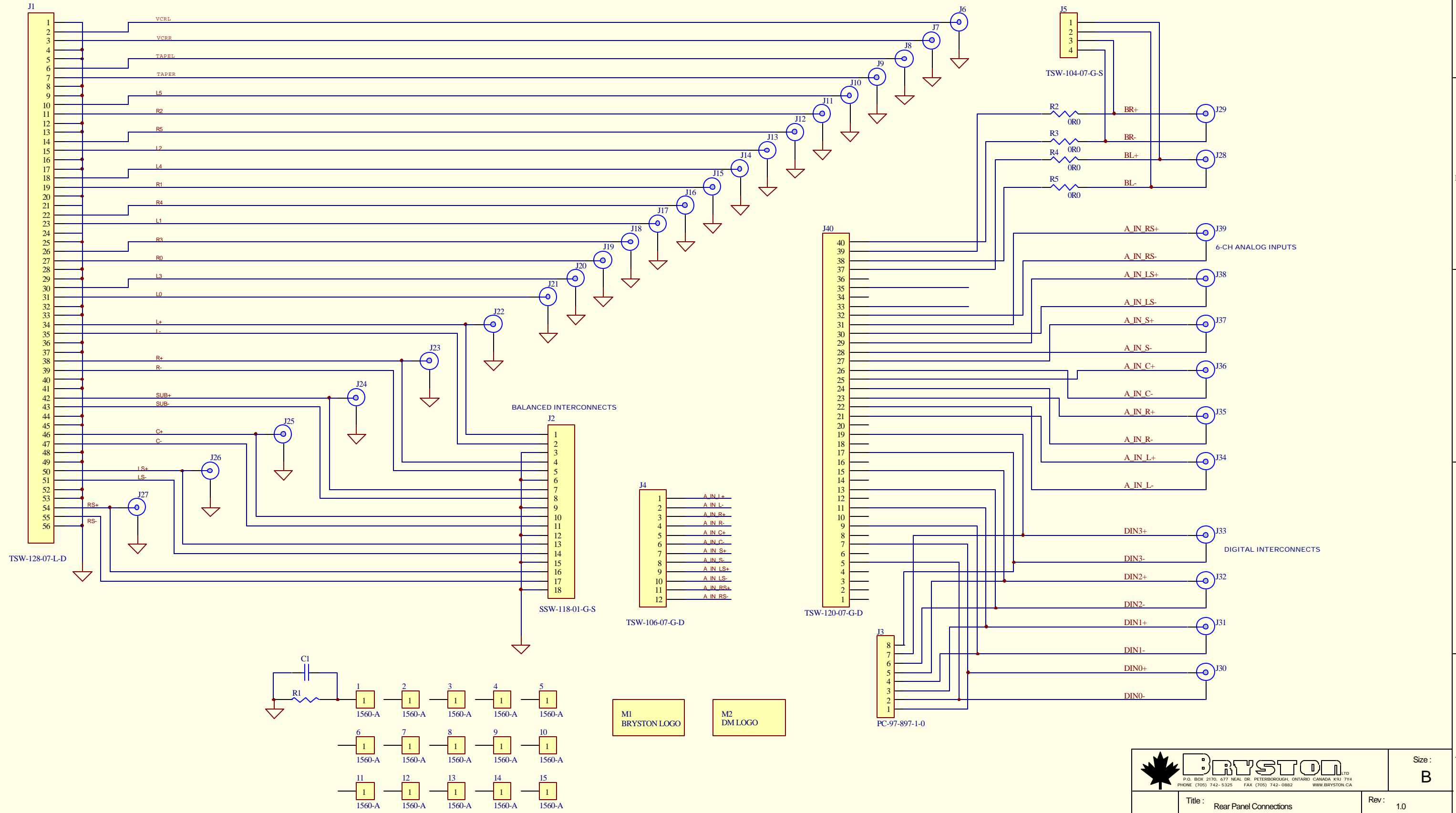
		Size:	B
		P.O. BOX 2170, 677 NEAL DR., PETERBOROUGH, ONTARIO, CANADA K9J 7Y4 PHONE (705) 742-5325 FAX (705) 742-0882 WWW.BRYSTON.CA	
Title:	Rev:		
File: SP17BS11.SCH	Sheet: 0 of 0		
Date: 10-Mar-2003	Drawn: D.M.		

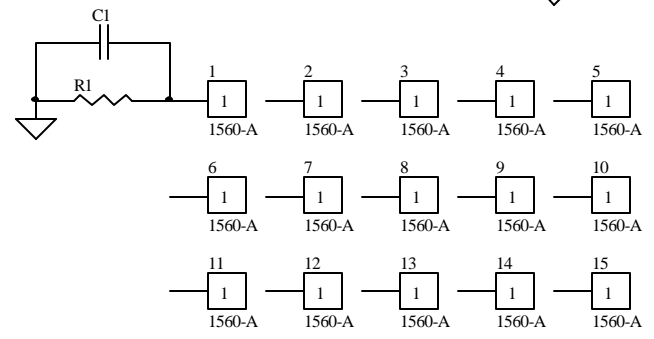
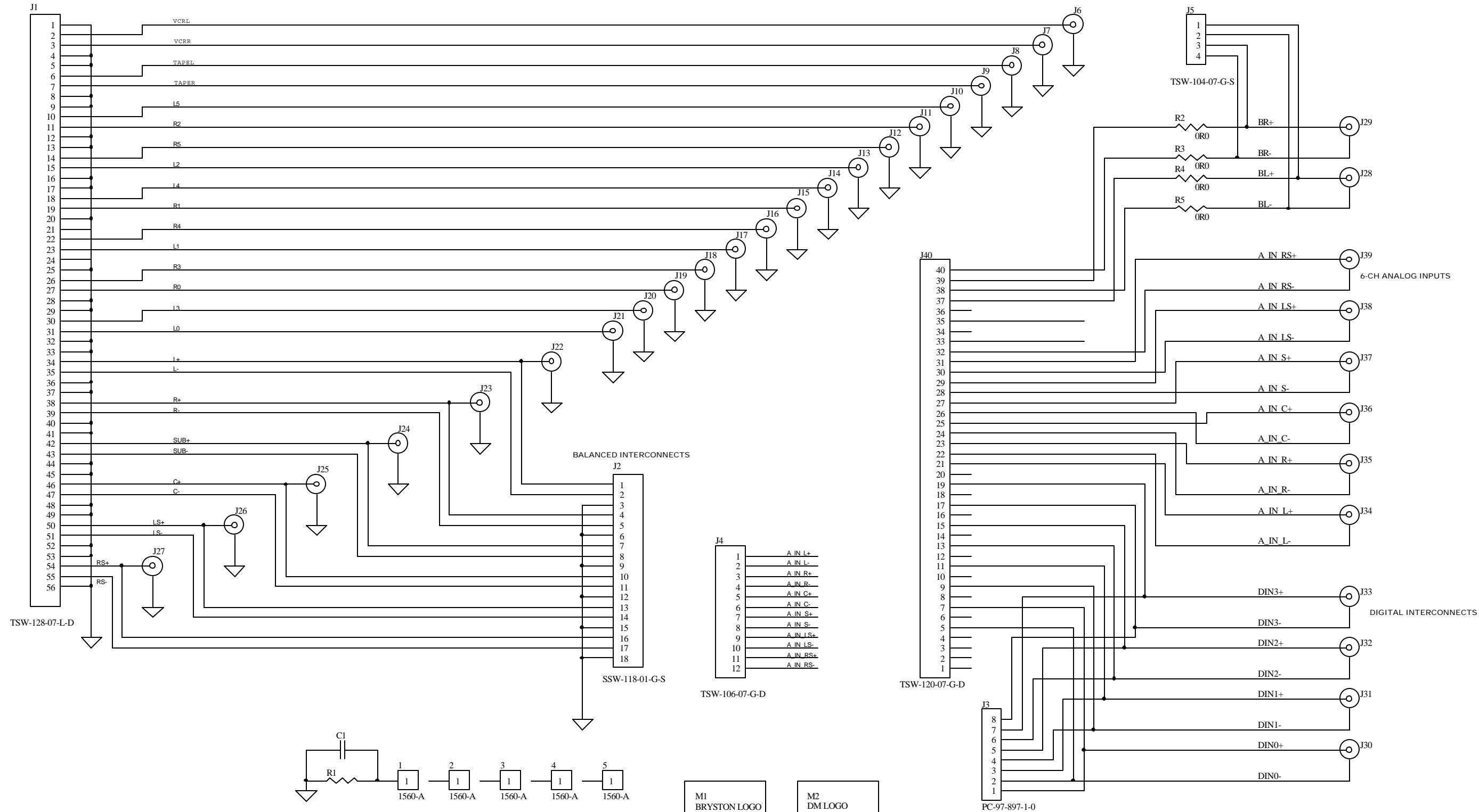


Title: SP1.7 MUTE DRIVE		
Size: LET	Drawn By: Shane Parfitt	Revision: 1.0
Date: 2-Dec-2003	Time: 15:18:30	Sheet 1 of 1
File: G:\SP1.7\SP17_MUTEDRIVE_01.ddb - Documents\SP17_MUTEDRIVE_01.Sch		

BYSTON Ltd.
 PO. BOX 2170, 677 NEAL DRIVE, PETERBOROUGH, ONTARIO, CANADA K9J 7Y4
 Phone: 705-742-6325 Fax: 705-742-0882 Internet: www.byston.ca



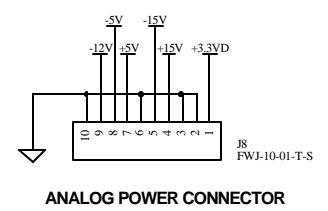
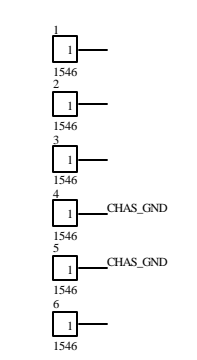
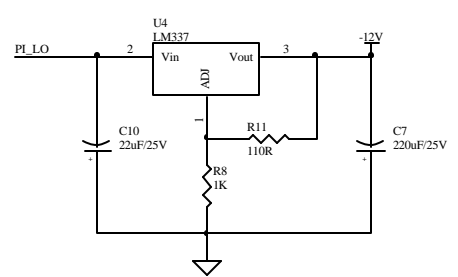
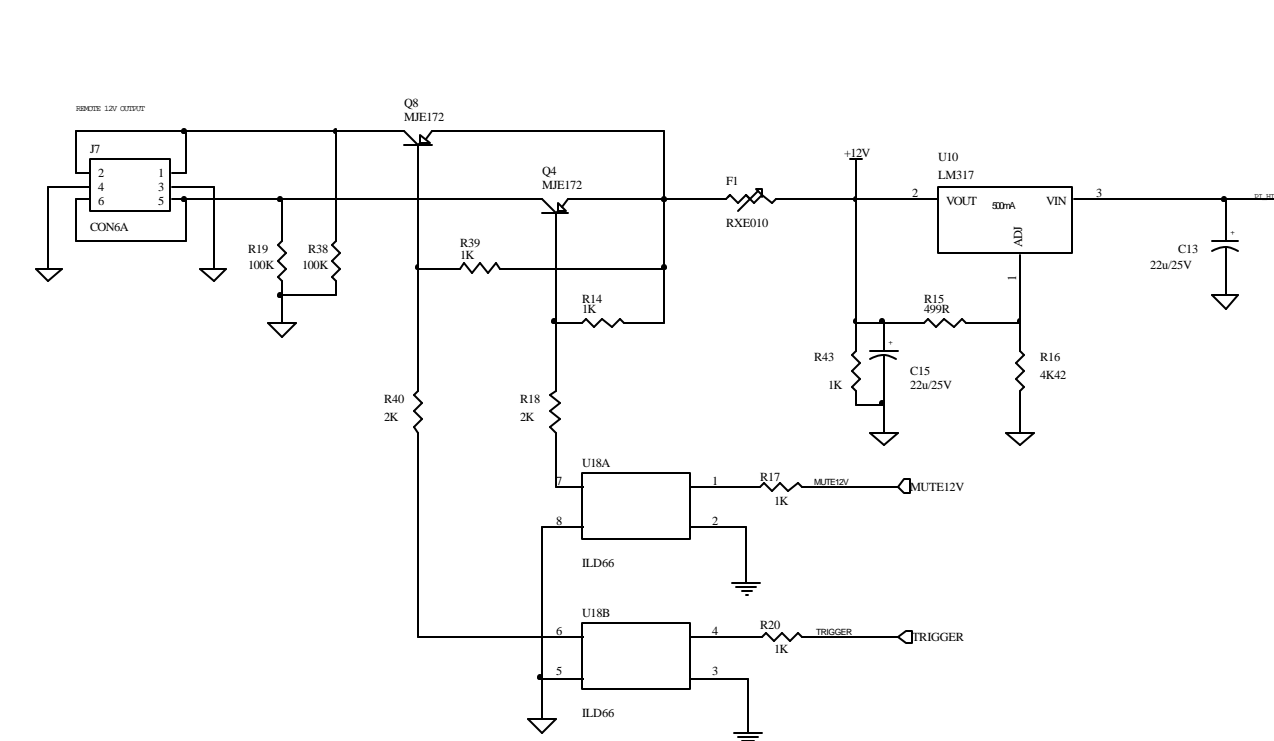
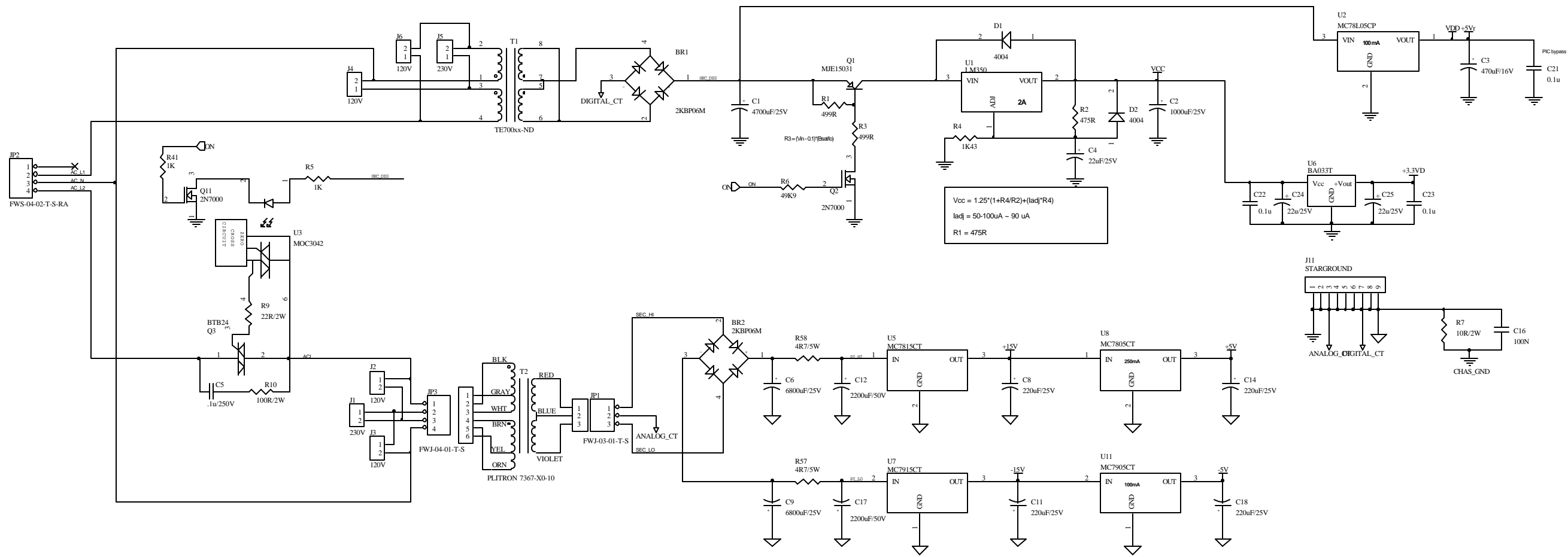


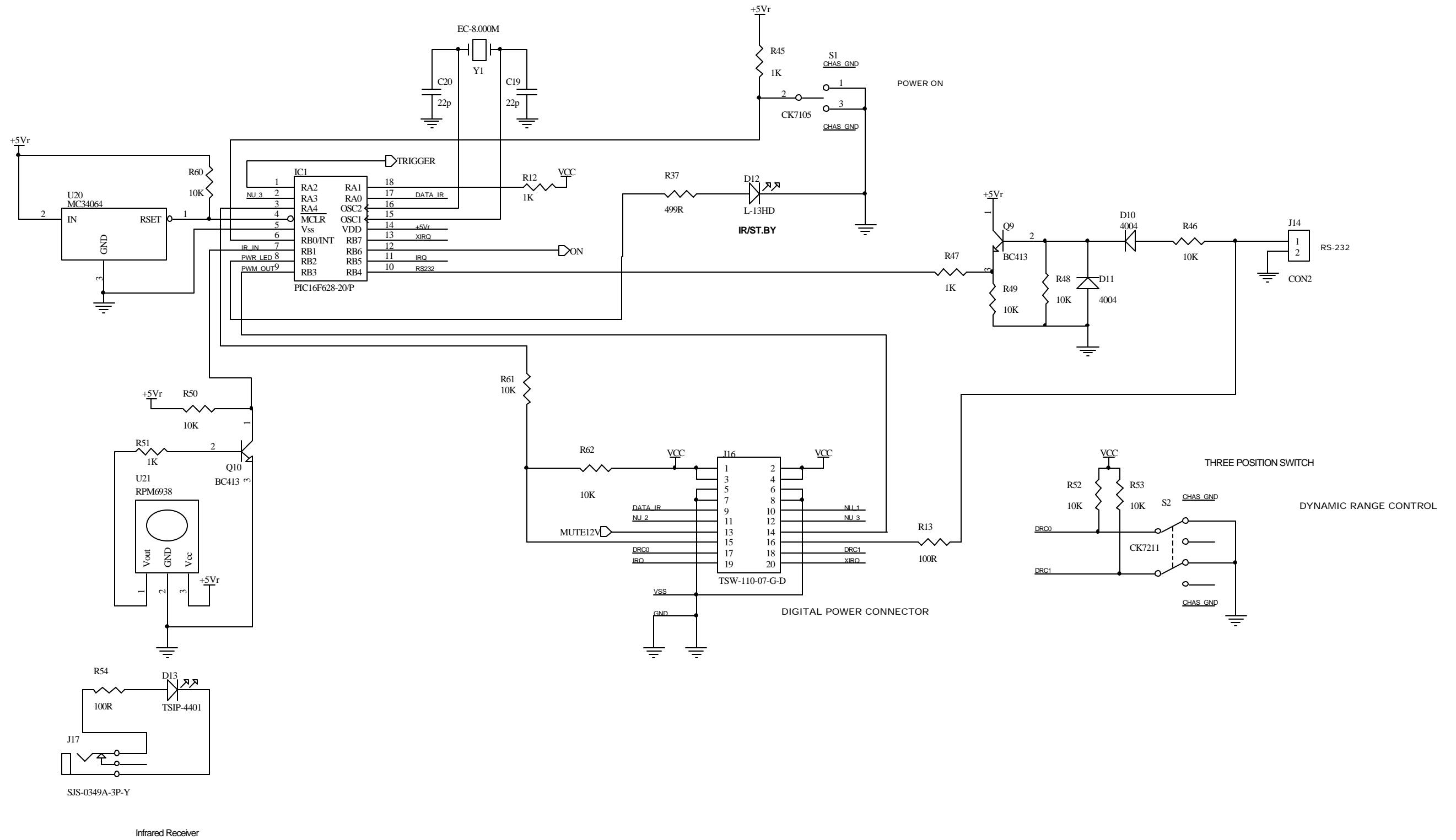


M1
BRYSTON LOGO

M2
DM LOGO

		Size:	B
		Title: Rear Panel Connections	
P.O. BOX 2170, 677 NEAL DR. PETERBOROUGH, ONTARIO CANADA K9J 7Y4 PHONE (705) 742-5325 FAX (705) 742-0882 WWW.BRYSTON.CA		Rev:	1.0
File:	SP17_RCA5.SCH	Sheet:	1 of 1
Date:	20-Dec-2002	Drawn:	D.M.



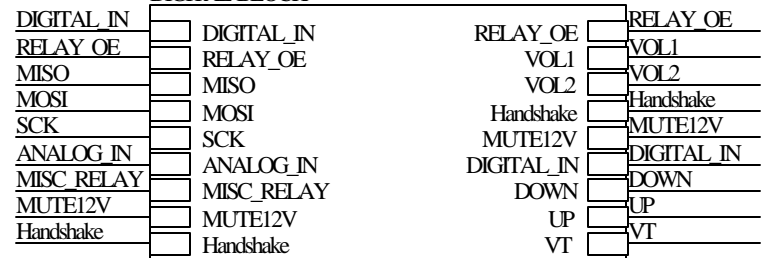


DAE-3033



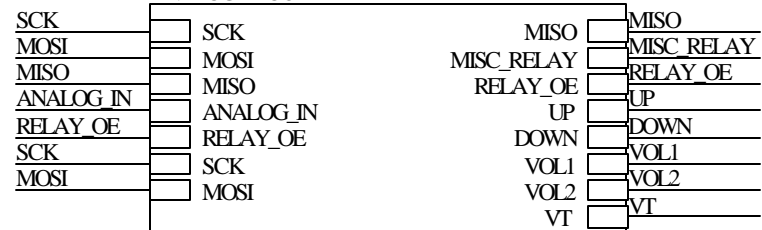
DAE-3033.SCH

DIGITAL BLOCK



DIGITAL.SCH

ANALOG BLOCK



ANALOG.SCH

MI



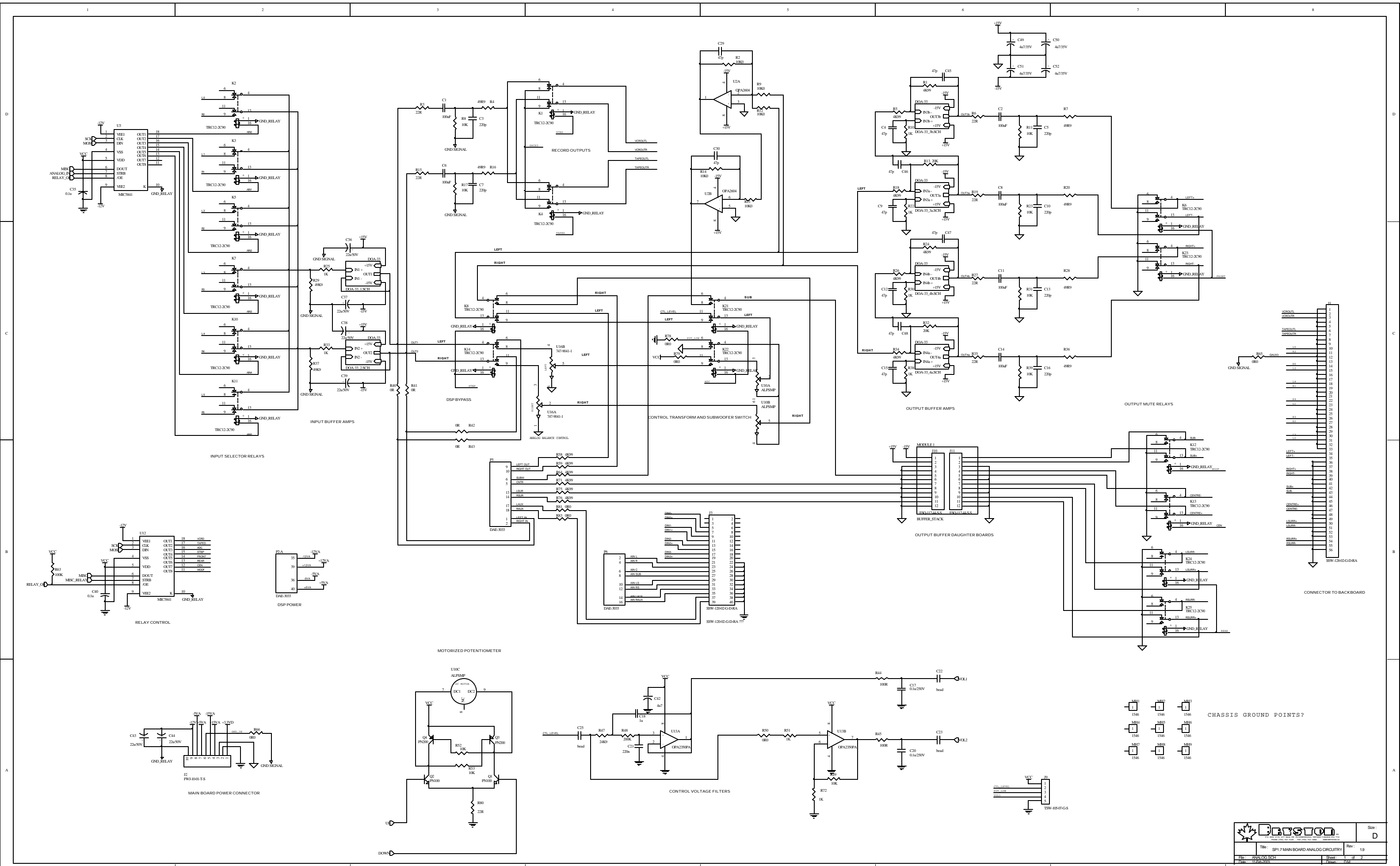
M2

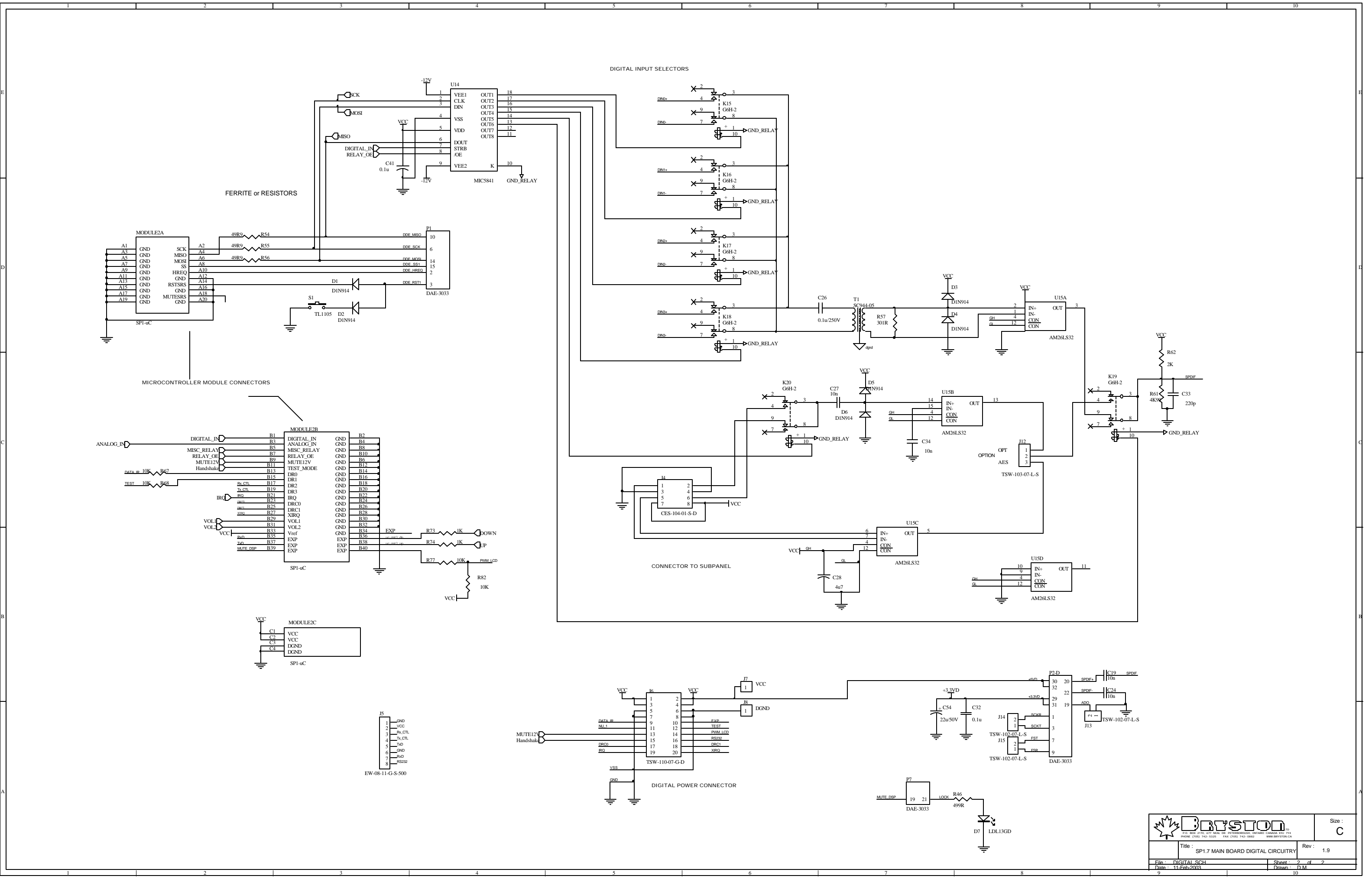


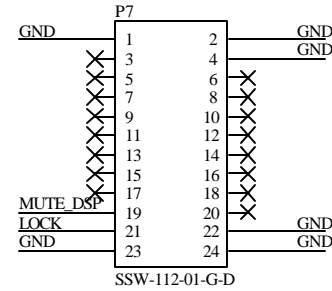
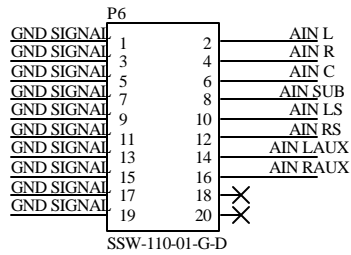
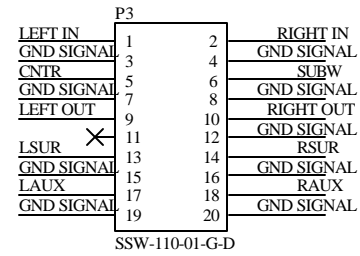
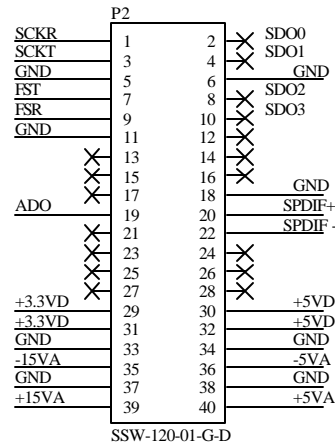
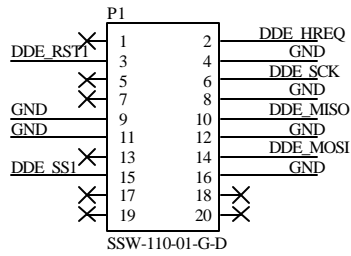
M3



Title		
Size	Number	Revision
B		
Date:	11-Feb-2003	Sheet of
File:	H:\SP1.7\SP17_MB19.ddb	Drawn By:

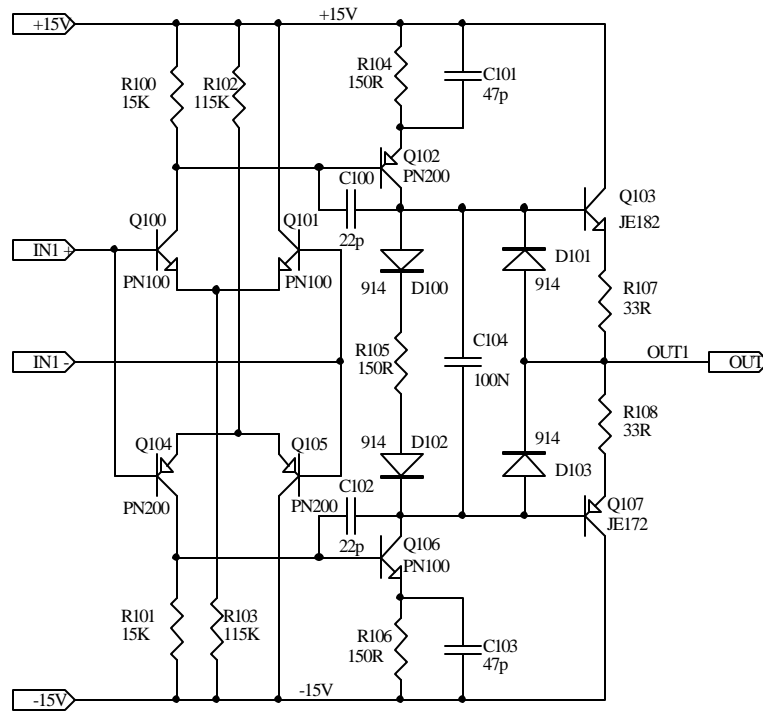




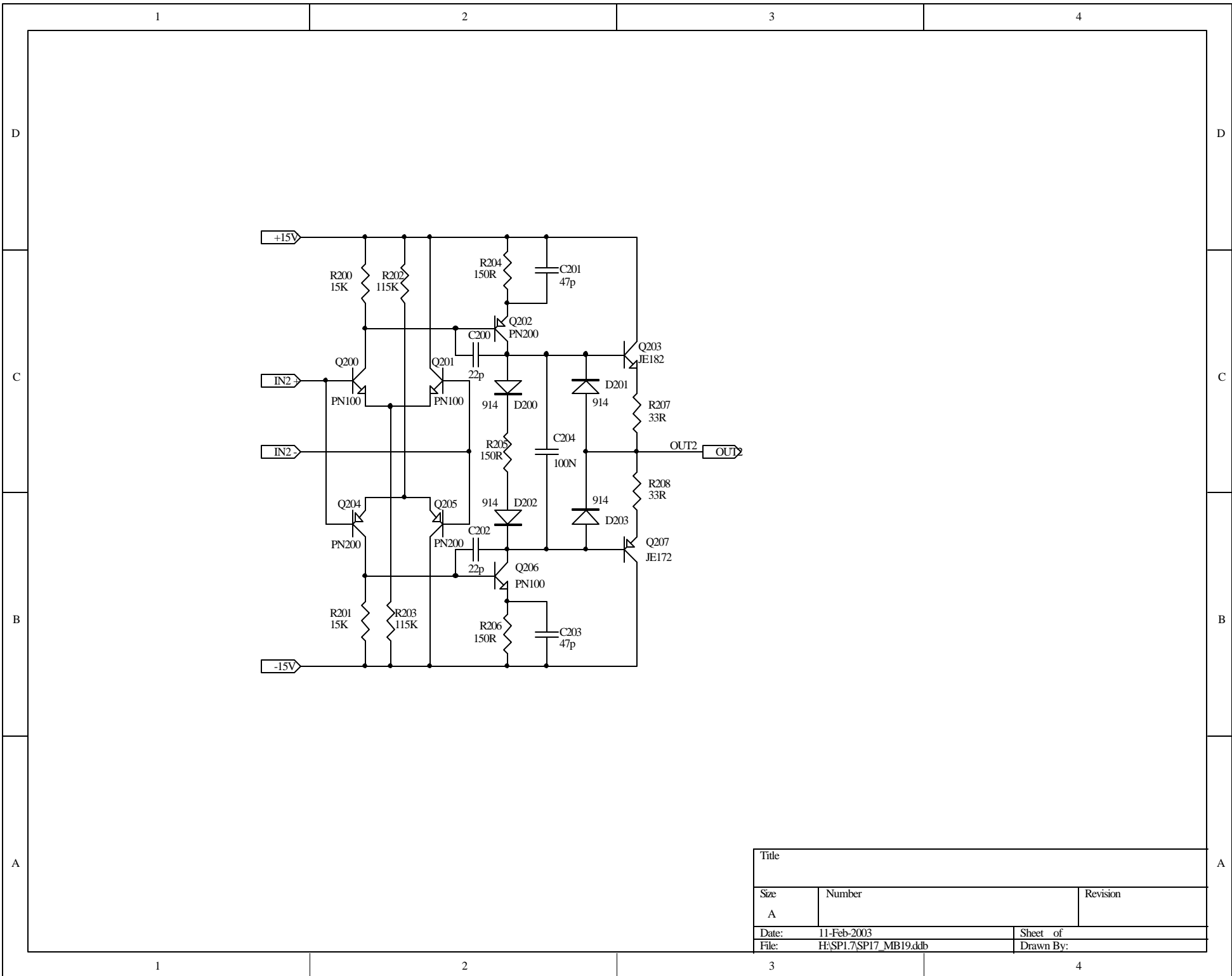


Size :
A

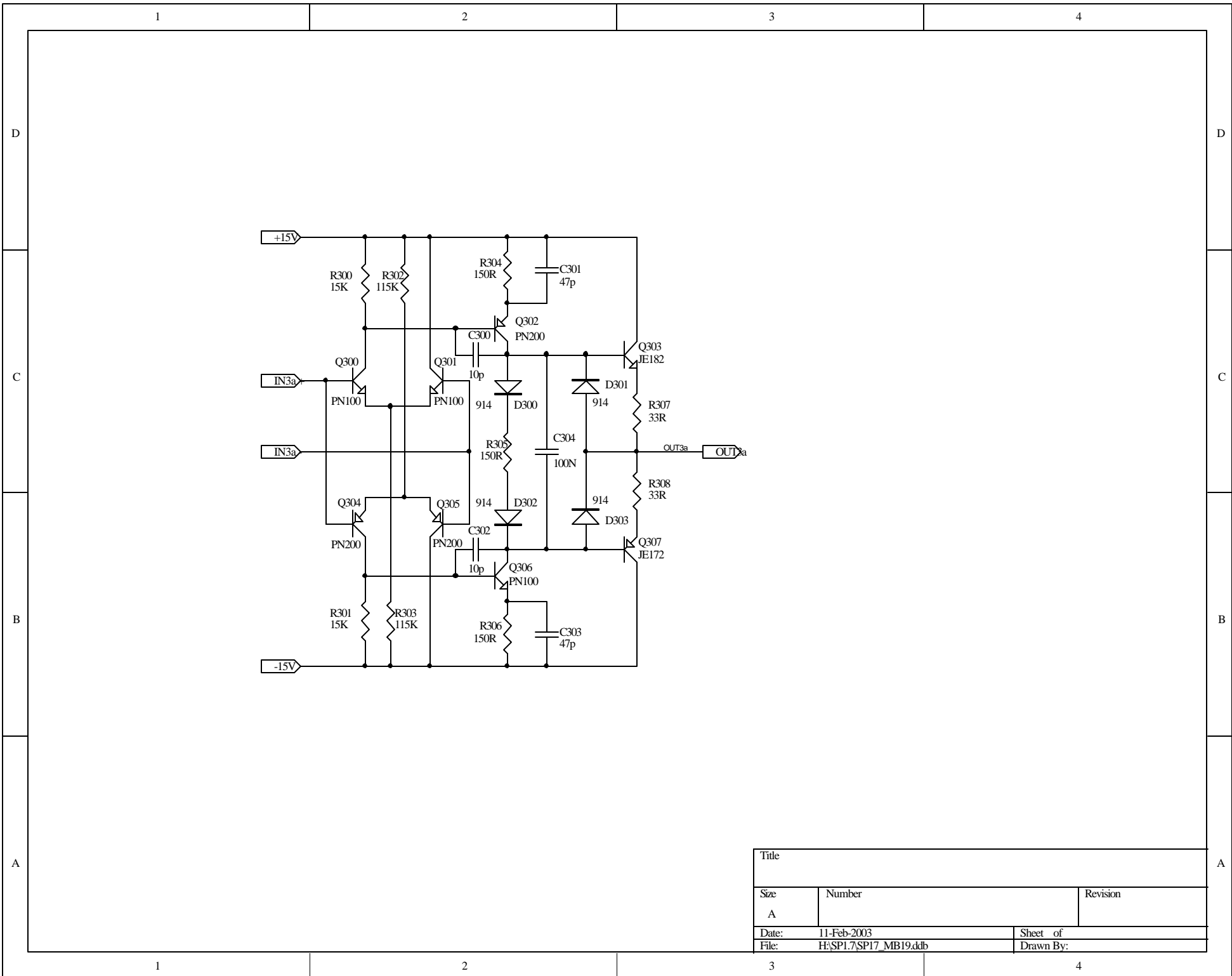
Title : SP1.7 DAE-3033		Rev :
File : DAE-3033.SCH	Sheet : 1 of 1	
Date : 11-Feb-2003	Drawn : D.M.	



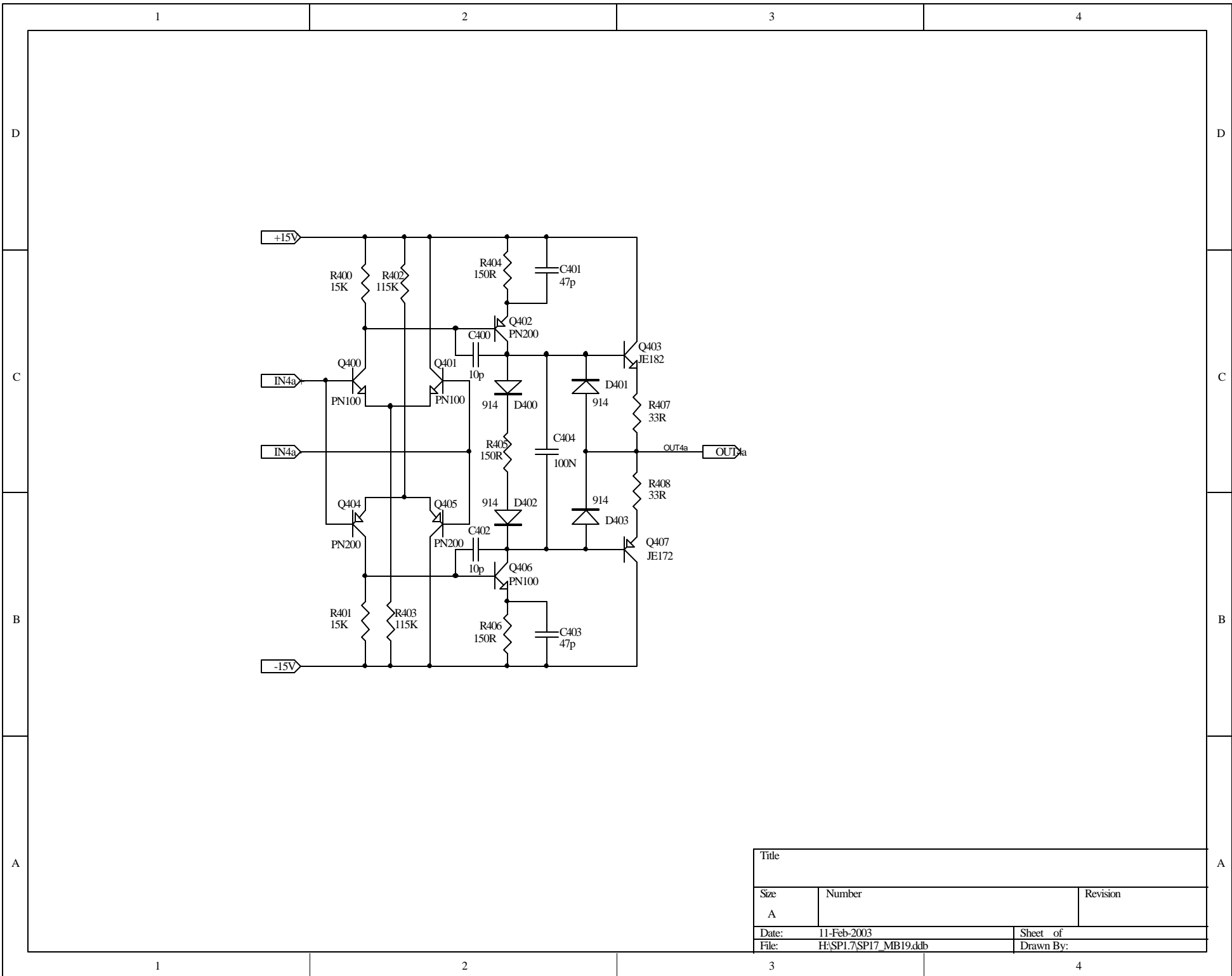
Title		
Size	Number	Revision
A		
Date:	11-Feb-2003	Sheet of
File:	H:\SP1.7\SP17_MB19.ddb	Drawn By:



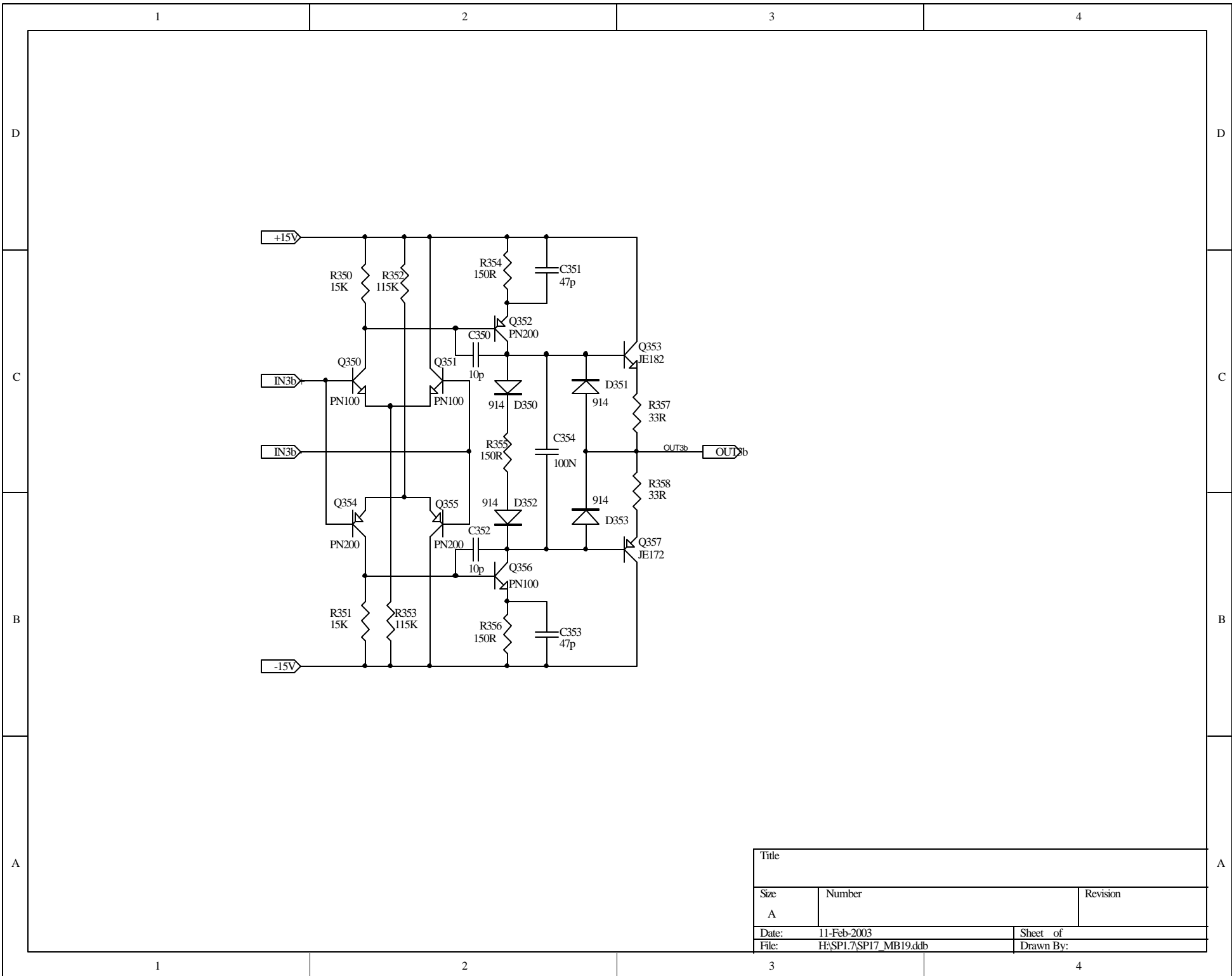
Title		
Size	Number	Revision
A		
Date:	11-Feb-2003	Sheet of
File:	H:\SP1.7\SP17_MB19.ddb	Drawn By:



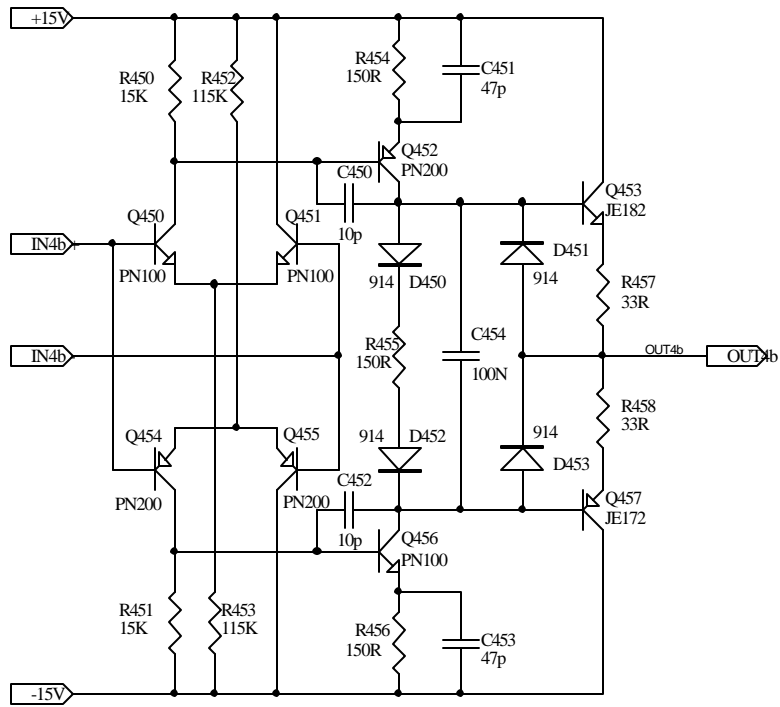
Title		
Size	Number	Revision
A		
Date:	11-Feb-2003	Sheet of
File:	H:\SP1.7\SP17_MB19.ddb	Drawn By:



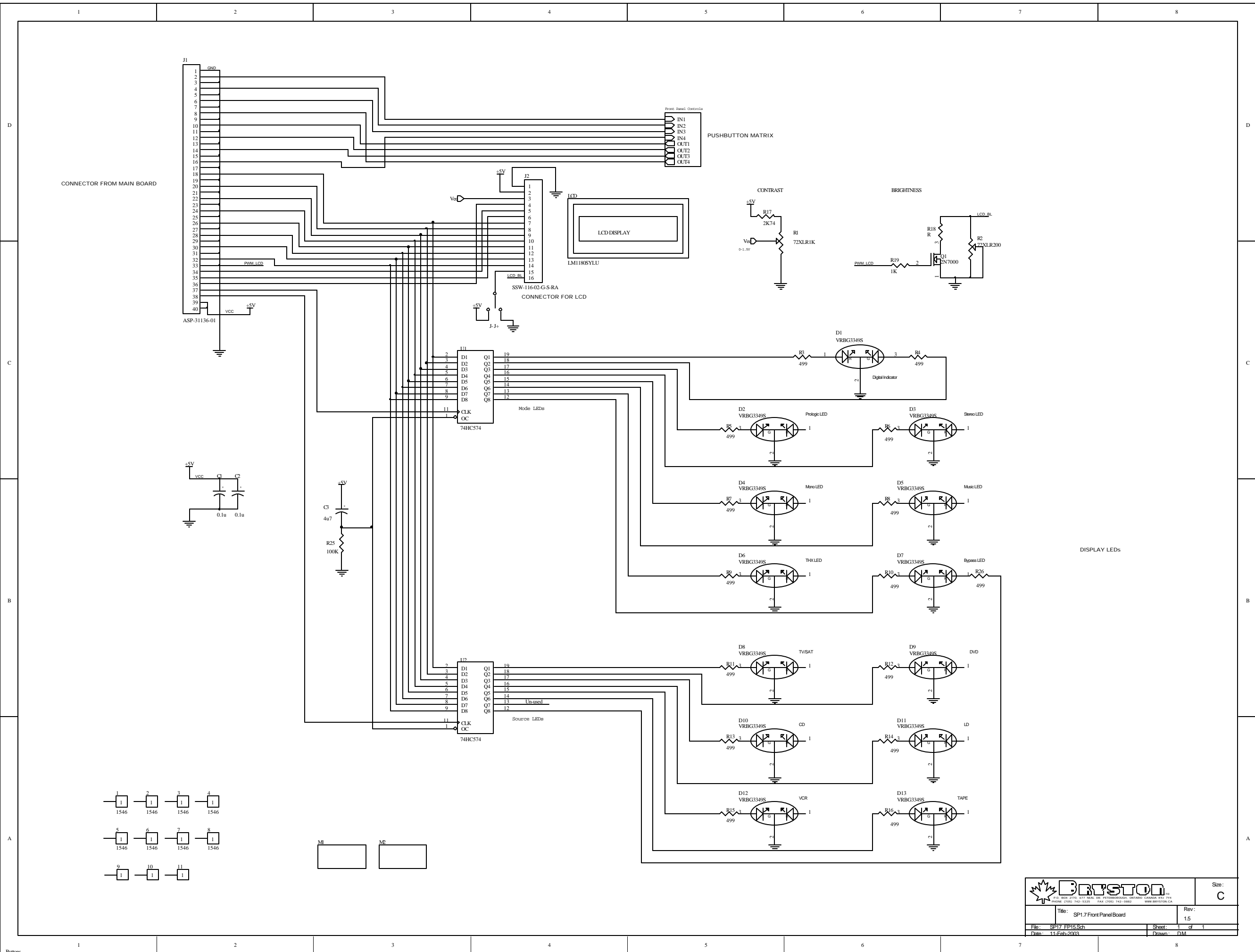
Title		
Size	Number	Revision
A		
Date:	11-Feb-2003	Sheet of
File:	H:\SP1.7\SP17_MB19.ddb	Drawn By:



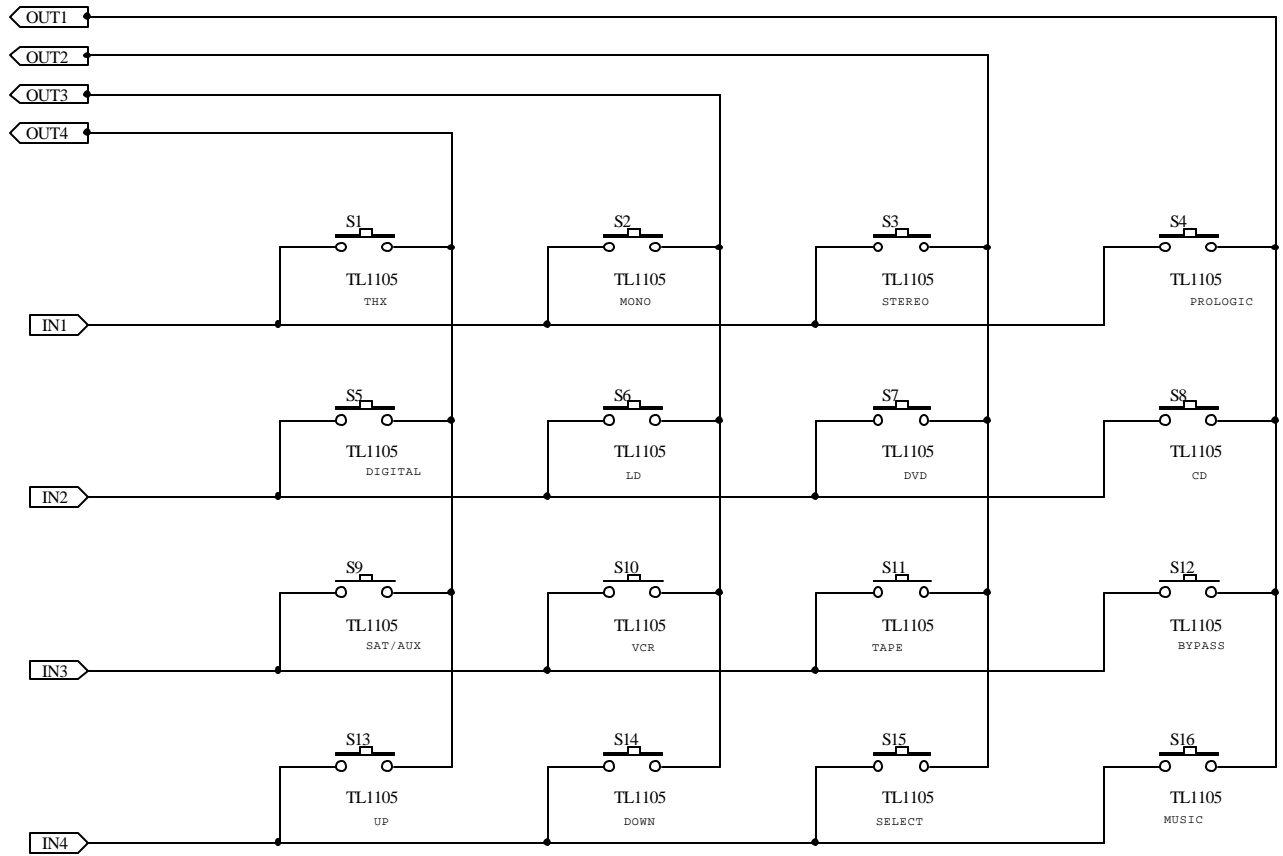
Title		
Size	Number	Revision
A		
Date:	11-Feb-2003	Sheet of
File:	H:\SP1.7\SP17_MB19.ddb	Drawn By:



Title		
Size	Number	Revision
A		
Date:	11-Feb-2003	Sheet of
File:	H:\SP1.7\SP17_MB19.ddb	Drawn By:



BRYSTON		Size: C
PHONE: (705) 742-5325 FAX: (705) 742-0882 WWW.BRYSTON.CA 1000 2100, 2117 BAYVIEW AVE. SCARBOROUGH, ONTARIO, CANADA M1V 5Y4		Rev: 1.5
Title: SP1.7 Front Panel Board		Sheet: 1 of 1
File: SP17.FP15.Sch		Drawn: DM
Date: 11-Feb-2003		



Size :
A

Title : TACT SWITCH MATRIX		Rev : 0.0
File : Buttons	Sheet : 2 of 2	
Date : 11-Feb-2003	Drawn : D.M.	

