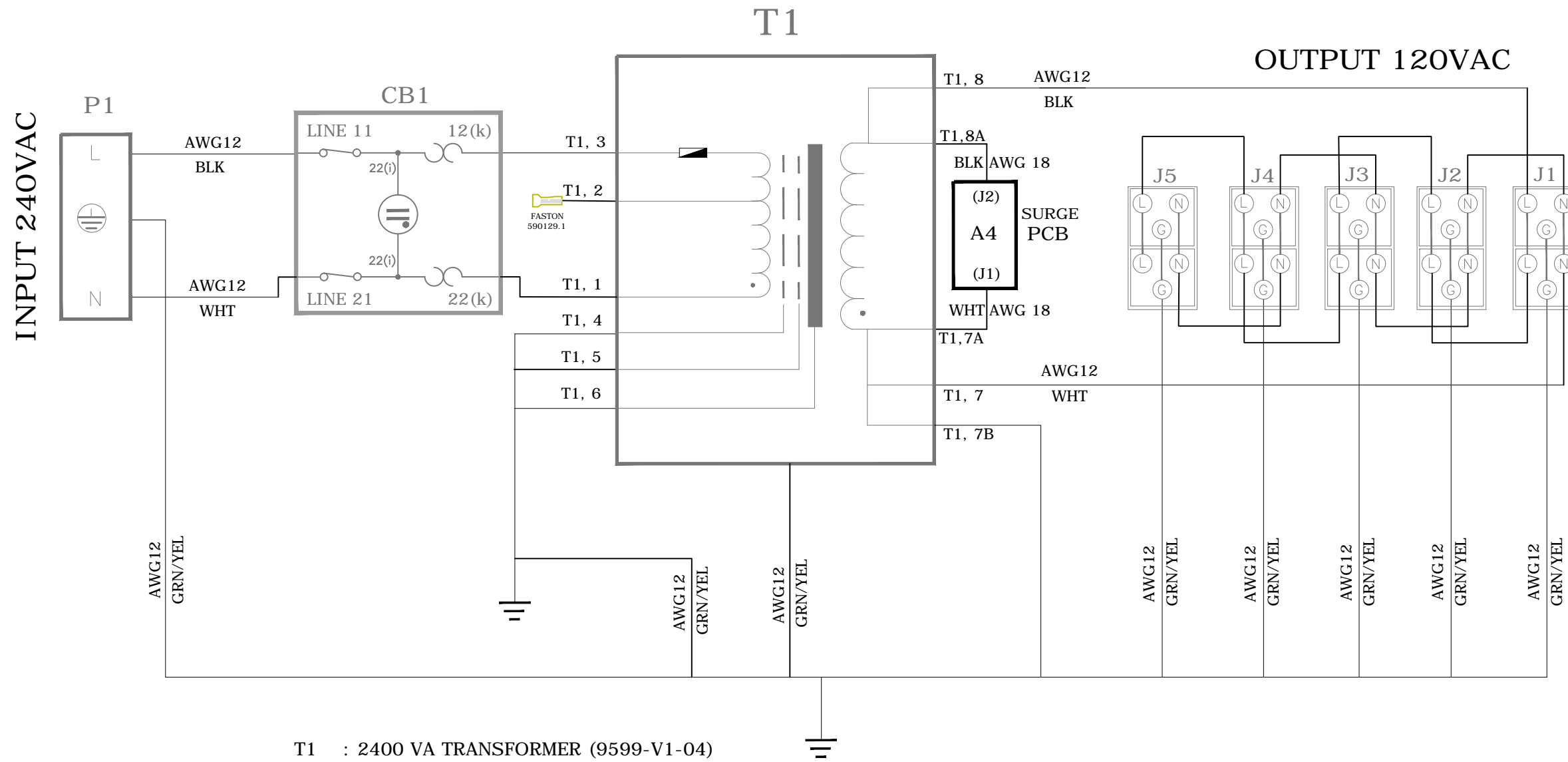


Drawing Revision History			Zone	Date Origin	Initials
Rev #	Revision Details				
-	-		-	-	-

# BIT RM 20 BAL

## CIRCUIT SCHEMATIC 240-120VAC MODEL



- T1 : 2400 VA TRANSFORMER (9599-V1-04)
- J1-J5: DUPLEX OUTELTS (691426)
- P1 : 20A IEC INLET (691418)
- CB1 : 10A CIRCUIT BREAKER (691538)
- A4 : 120V SPA

CONFIDENTIAL

MODEL : BIT RM 20 BAL CS  
 INPUT : 240VAC 60Hz  
 OUTPUT : 120VAC 20A Max.  
 Serial Number : 201419-nnnn (example)

Toronto, Canada  
www.toruspower.com

PRODUCT LABEL SAMPLE

 <small>TOROIDAL POWER PRODUCTS engineered to perform like no others Plitron Manufacturing Inc. Toronto, Canada M3J 3J2 www.plitron.com</small>	Schematic Drawing	Part Number	<b>BIT RM 20 BAL</b>	Rev #	<b>0</b>	
	Description		TORUS POWER- BIT RM 20 BAL - 240V INPUT		Design	TW 12/02/2013
	Material		LETTER SHEET 11x8.5		Sheet:	1 OF 1
					Checked	
				Approved		

This document is property of PLITRON Manufacturing Inc. It is not to be copied or transmitted or used as the basis for manufacture of apparatus without written permission © Plitron Manufacturing, Inc. 2011