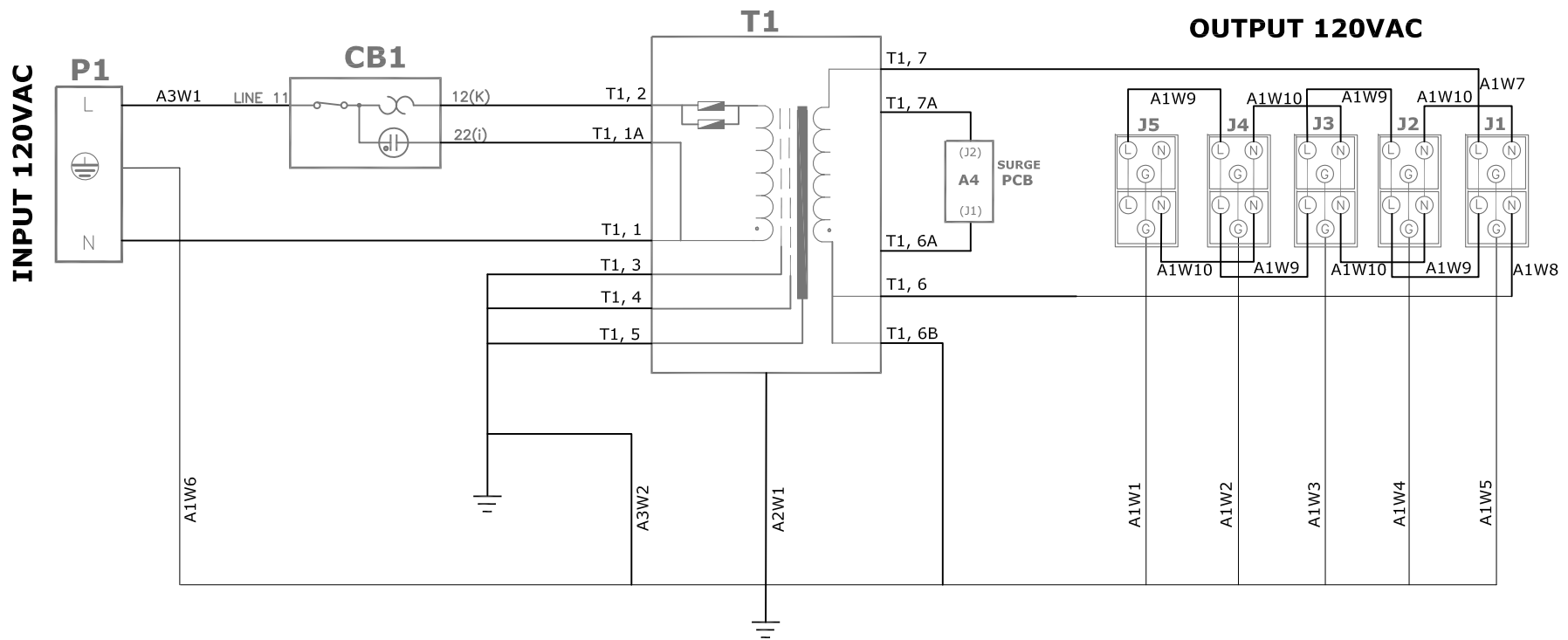


Drawing Revision History			
Rev #	Revision Details	Zone	Date Origin


BIT RM 20 (PA-09131-00)



A1: REAR PANEL ASSEMBLY
 A2: TRANSFORMER ASSEMBLY
 A3: WIRED CHASSIS ASSEMBLY
 A4: SURGE PROTECTOR ASSEMBLY

T1 : 2400 VA TRANSFORMER (9131-V2-07)
 J1-J5: DUPLEX 20A OUTELTS (691426)
 P1 : 20A IEC INLET (691418)
 CB1 : 20A CIRCUIT BREAKER (691540)
 A4 : 120VSPA

PA-09131-00 (BIT RM 20).dwg



MODEL : BIT RM 20 CB
 INPUT : 120VAC 60Hz
 OUTPUT : 120VAC 20A Max.
 Serial Number : 201419-nnnn (example)

Toronto, Canada
 www.toruspower.com

PRODUCT LABEL SAMPLE

 <small>TORUS POWER PRODUCTS engineered to perform like no others Plitron Manufacturing Inc. Toronto, Canada MSJ 3/2 www.plitron.com</small>	Schematic Drawing		Part Number BIT RM 20	Rev # 0
	Description PA-09131-00		Design TW 04/05/2006	Drawn DA 06/03/2014
	Material LETTER SHEET 17 X 11		Sheet: 1 OF 1	Checked
				Approved

This document is property of PLITRON Manufacturing Inc. It is not to be copied or transmitted or used as the basis for manufacture of apparatus without written permission © Plitron Manufacturing, Inc. 2011