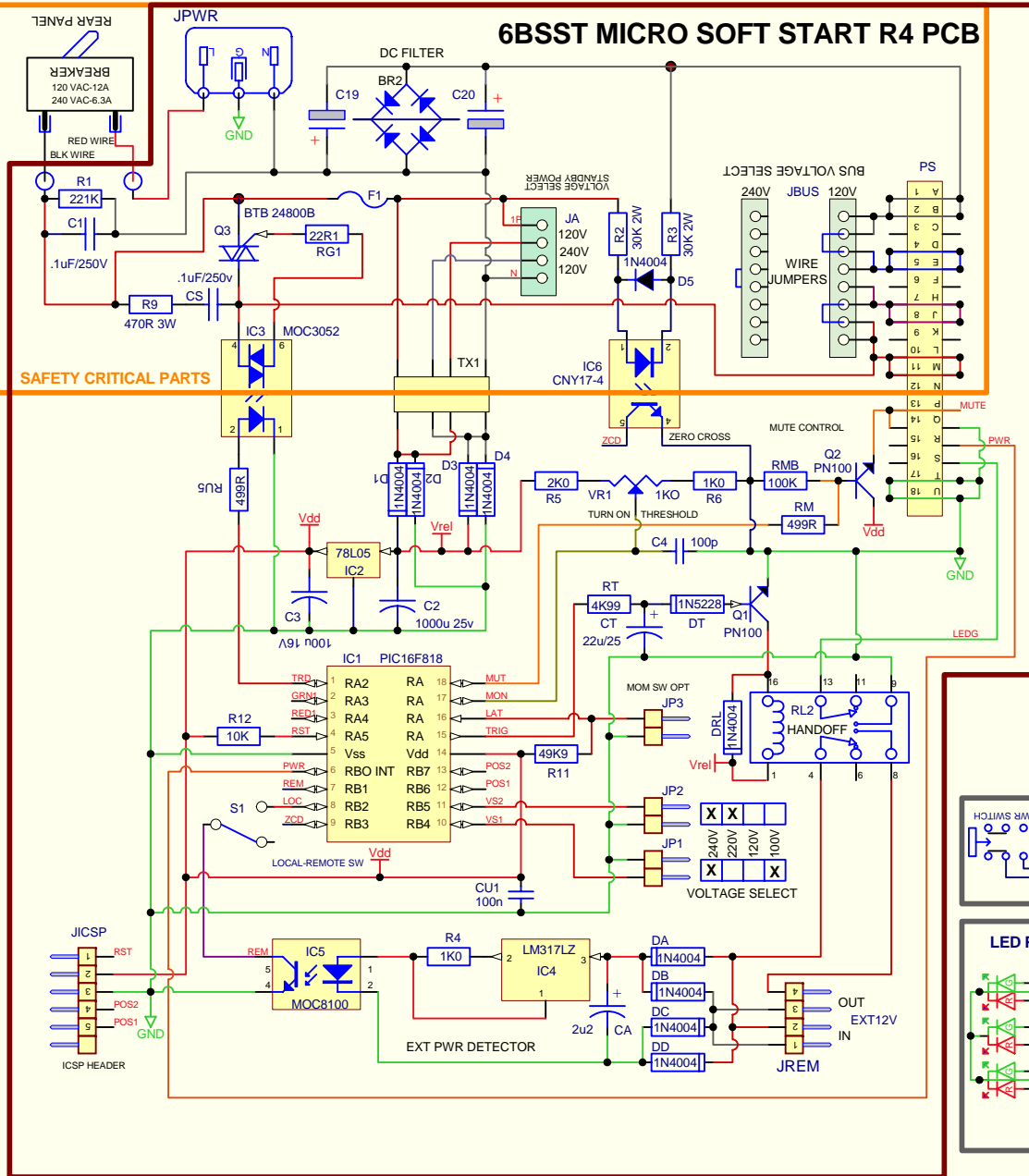
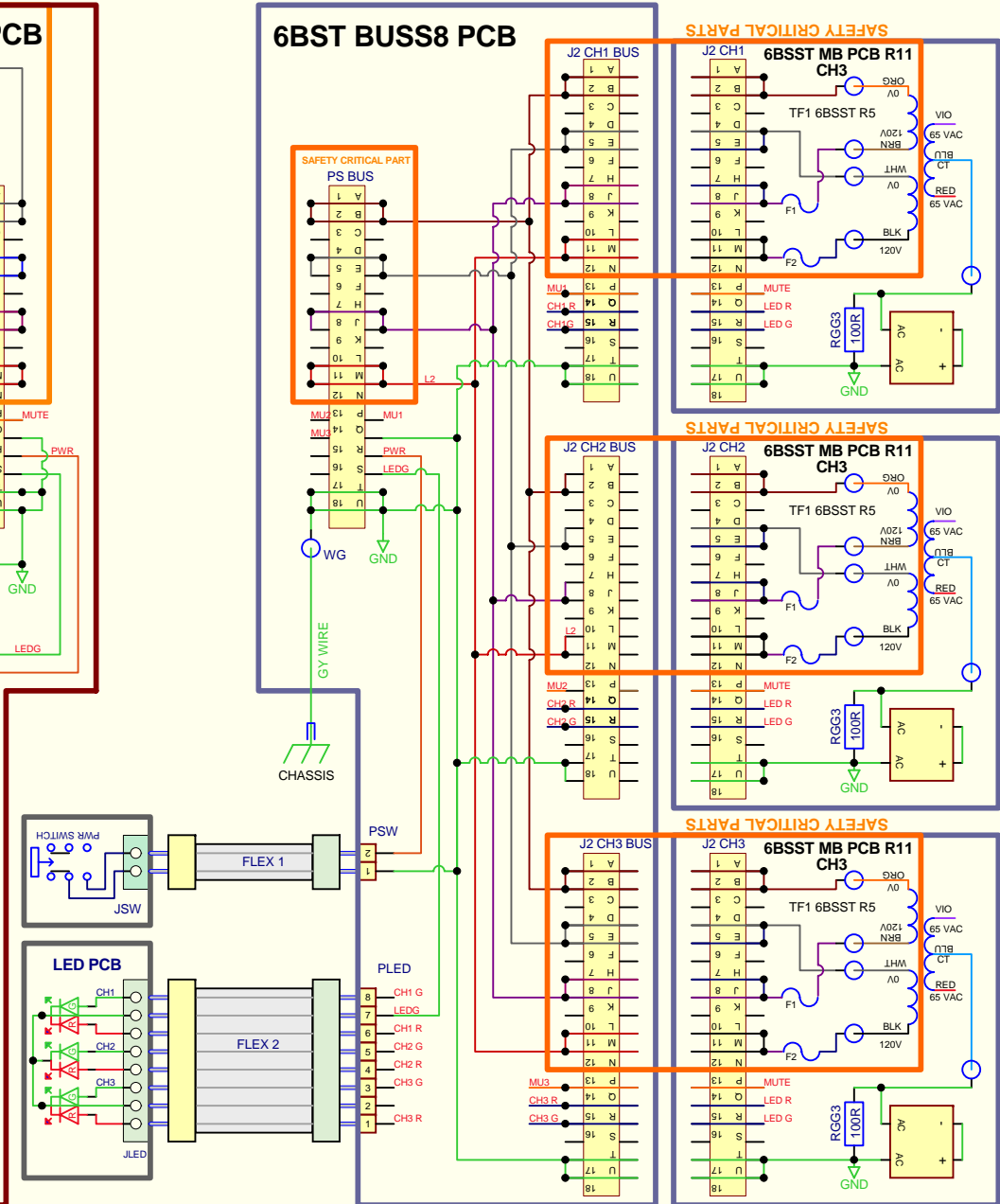


**SAFETY CRITICAL PARTS**

**6BSST MICRO SOFT START R4 PCB**



**6BST BUSS8 PCB**



FOR AUDIO SCHEMATIC SEE  
6BSST2 CHANNEL SCHEMATIC

**DRYSTON** LTD  
P.O. BOX 2170, 677 NEAL DR. PETERBOROUGH, ON. CANADA K9J 7Y4  
PHONE (705) 742-5325 FAX (705) 742-0882 WWW.BRYSTON.CA

Title: **6BSST2 PWR OVERVIEW SCParts**  
Date: **1003** Drawn: **ST** Sheet: **1** Rev:

