

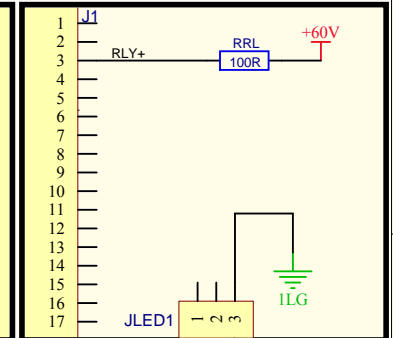
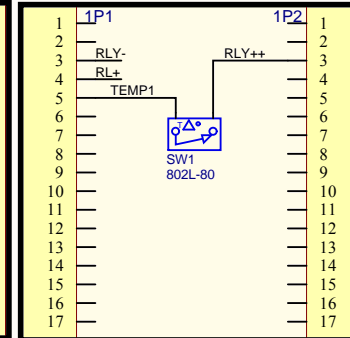
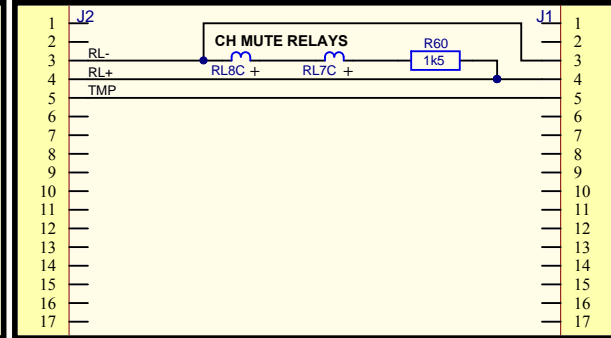
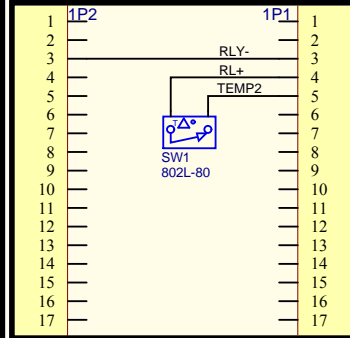
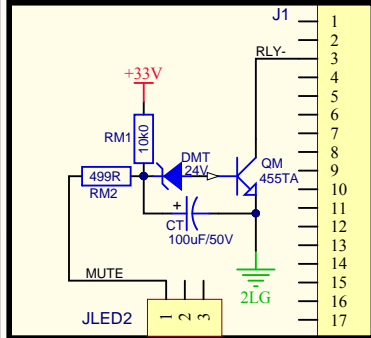
B135 2BSST CH A PSB R1

B135 2BSST 875 CH A

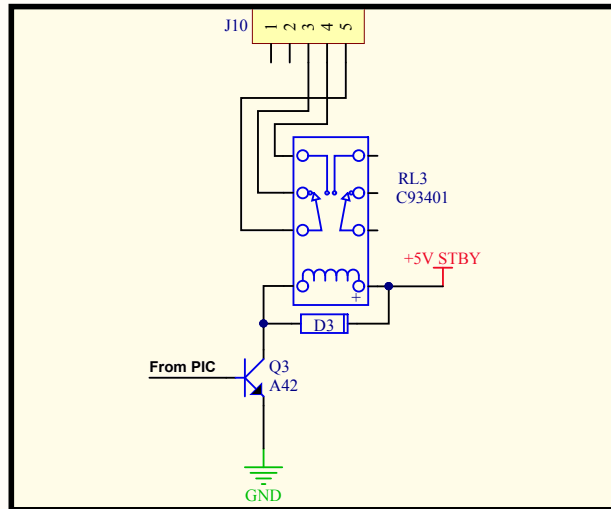
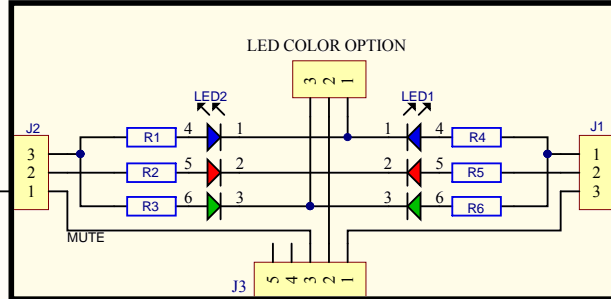
2.5BSST2 IN OUT SM

B135 2BSST 875 CH B

B135 2BSST CH B PSB R1



2.5BSST2 LED PWR SW

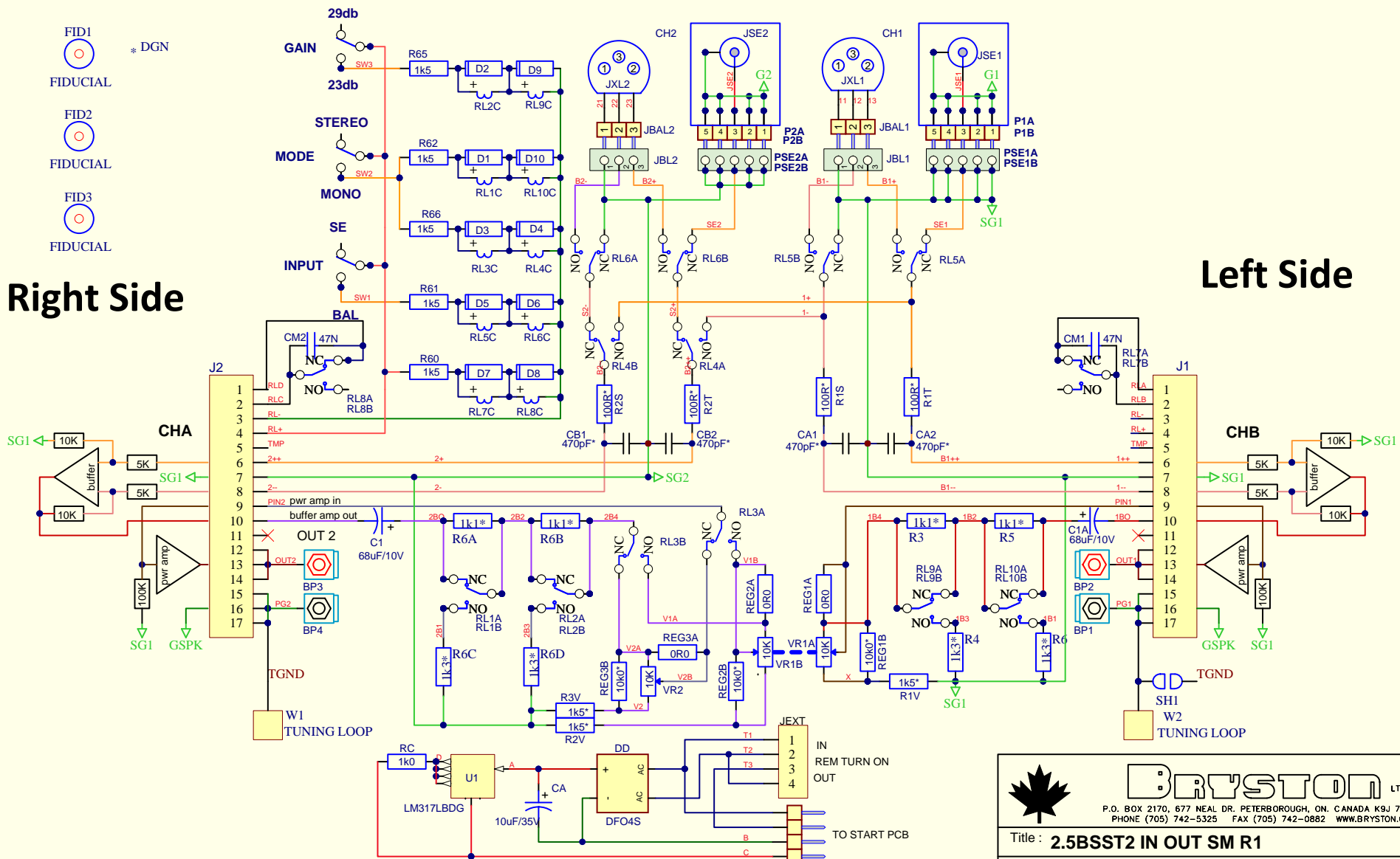



2.5BSST2 START BOARD

Title		
2.5BSST2 CHANNEL MUTE OVERVIEW SCHEMATIC		
Size	Number	Revision
A4		
Date:	10-02-2013	Sheet of
File:	Z:\2.5BSST\2.5BSST2 Channel Mute Schematic.Doc	

Right Side

Left Side





BRYSTON LTD

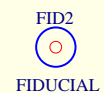
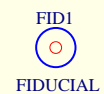
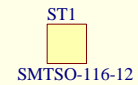
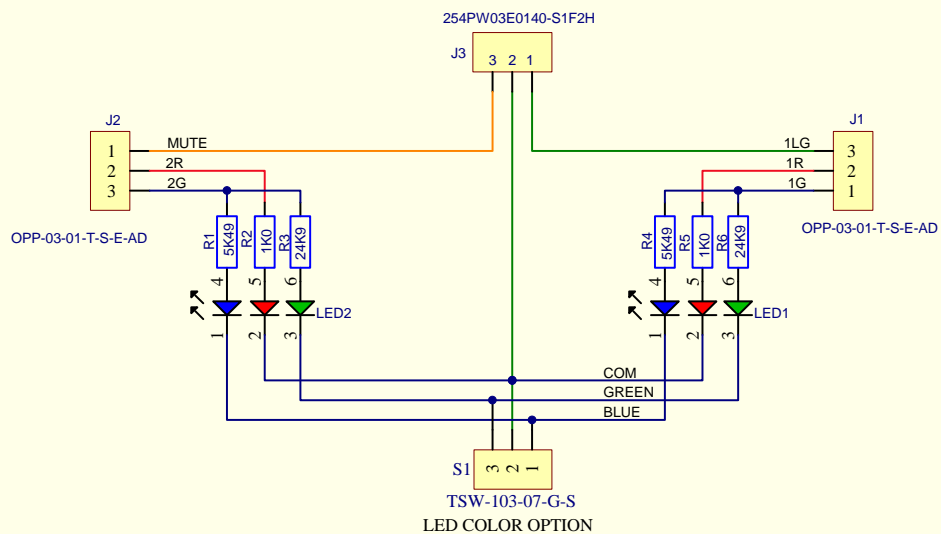
P.O. BOX 2170, 677 NEAL DR. PETERBOROUGH, ON. CANADA K9J 7Y4
PHONE (705) 742-5325 FAX (705) 742-0882 WWW.BRYSTON.CA

Title: 2.5BSST2 IN OUT SM R1	
File: 2.5BSST2 IN-OUT SM R1	Sheet: 1 of 1 Rev: 1
Date: Nov 2012	Drawn: DGN

- FID1 * DGN
- FIDUCIAL
- FID2 FIDUCIAL
- FID3 FIDUCIAL

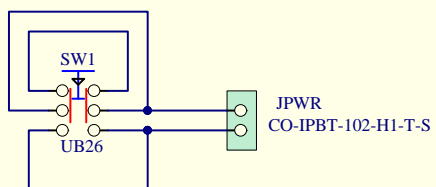
A
B
C
D
E

A
B
C
D
E



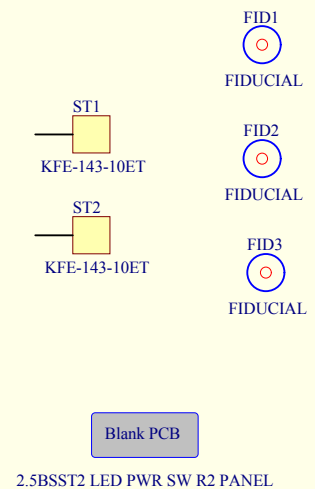
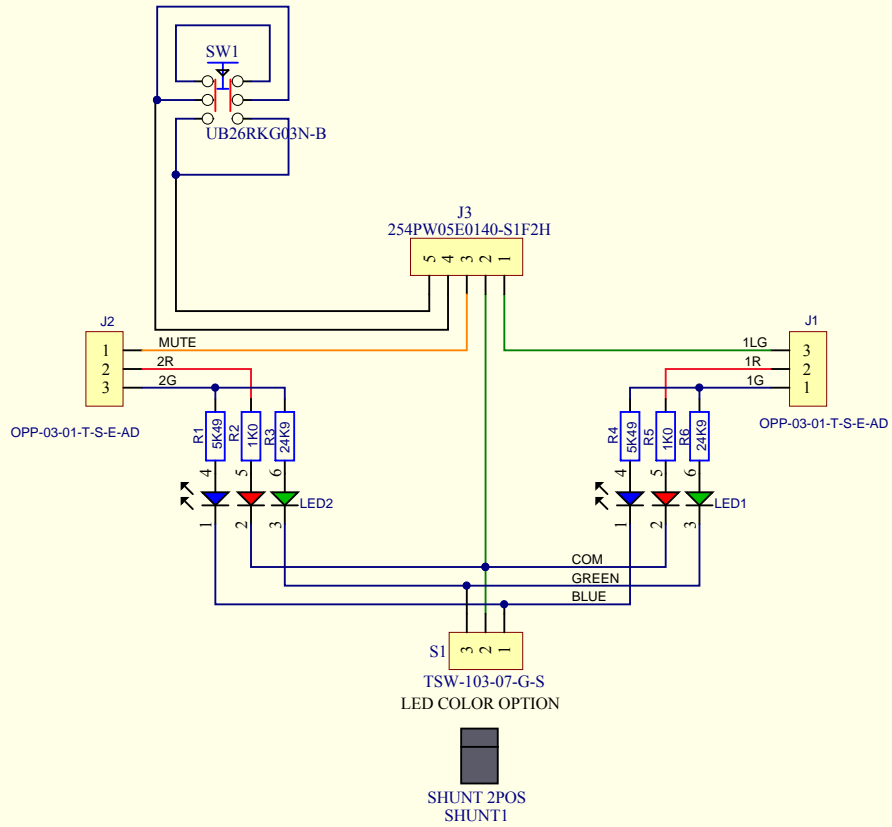
Blank PCB

2.5BSST2 LED PWR SW R1 PANEL



Size :
A

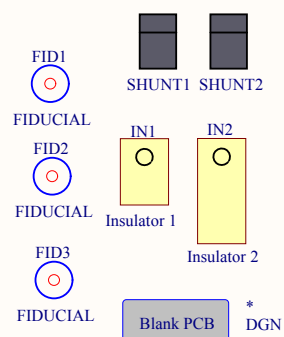
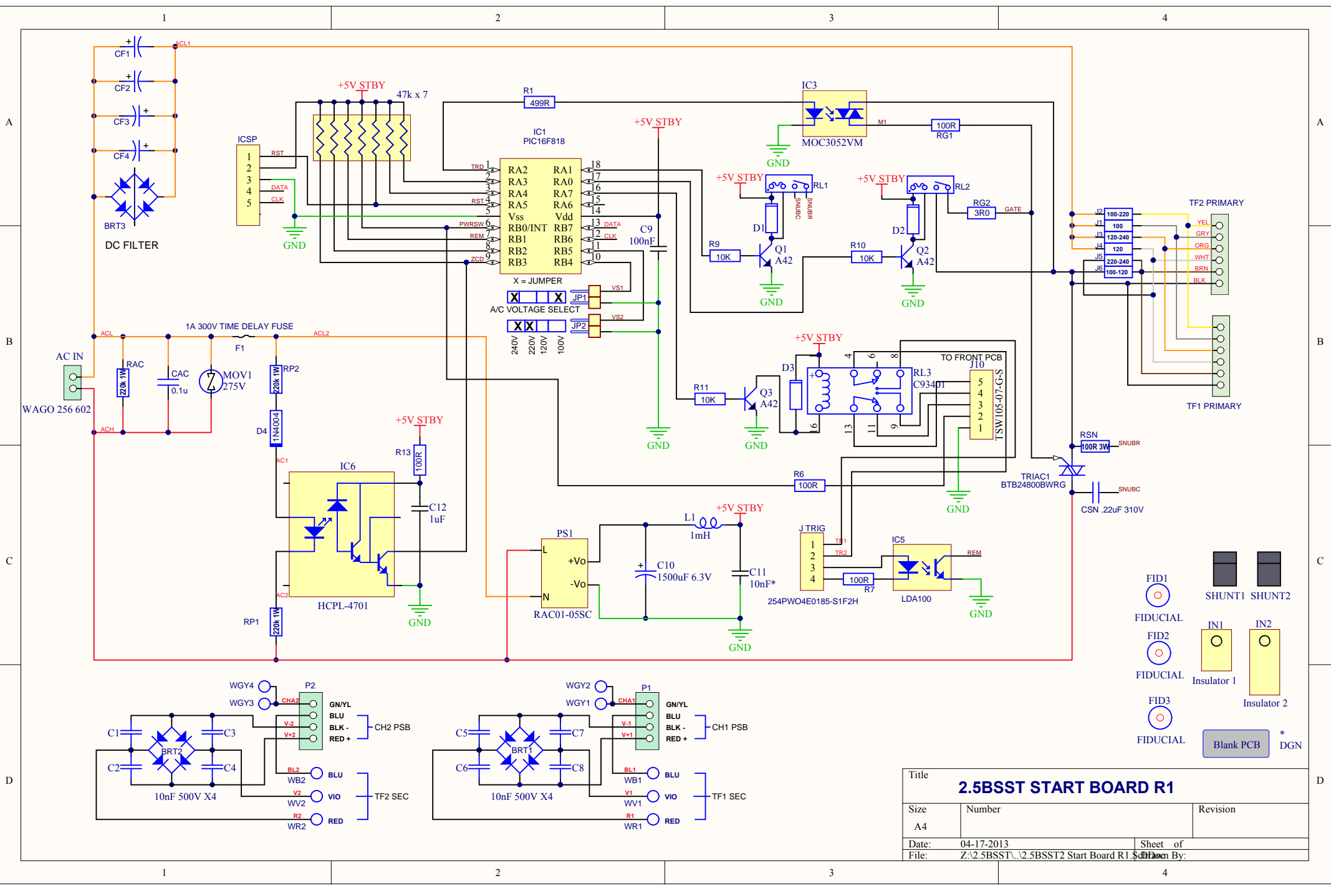
Title : 2.5BSST2 LED PWR SW R1		Rev : 1.0
File : 2.5BSST2 LED PWR SW R1.SCH	Sheet : 1 of 1	
Date : 12-18-2012	Drawn :	



REVISIONS

R1: PROTOTYPE
 R2: CHANGED J3 TO 5PIN CONNECTOR
 RESPECIFIED SWITCH SW1 TO LOW CURRENT VERSION
 RESPECIFIED STANDOFFS TO BROACHING TYPE
 ADDED MATERIAL AROUND STANDOFFS TO MEET
 0.22" HOLE TO EDGE CLEARANCE

		Size :	A
		Rev :	2.0
Title :		2.5BSST2 LED PWR SW R2	
File :	2.5BSST2 LED PWR SW R2..SchDoc	Sheet :	1 of 1
Date :	04-17-2013	Drawn :	



Title		
2.5BSST START BOARD R1		
Size	Number	Revision
A4		
Date:	04-17-2013	Sheet of
File:	Z:\2.5BSST\2.5BSST2 Start Board R1.SchDoc	Drawn By: