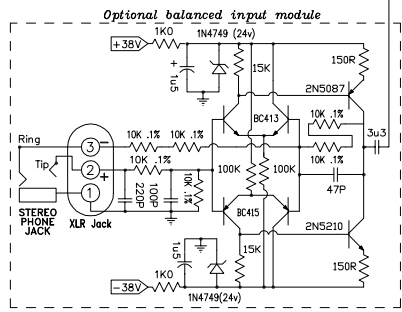


Power supply components in dashed box are mounted directly to chassis. RF suppression caps are mounted directly to bridge rectifier.

"THERMO-O-DISC" #36T mounted on heatsink with BR6521/6522 power transistors

SECONDARY HEATSINK
PRIMARY HEATSINK

RIGHT CH. ONLY! Output "M" from LEFT channel



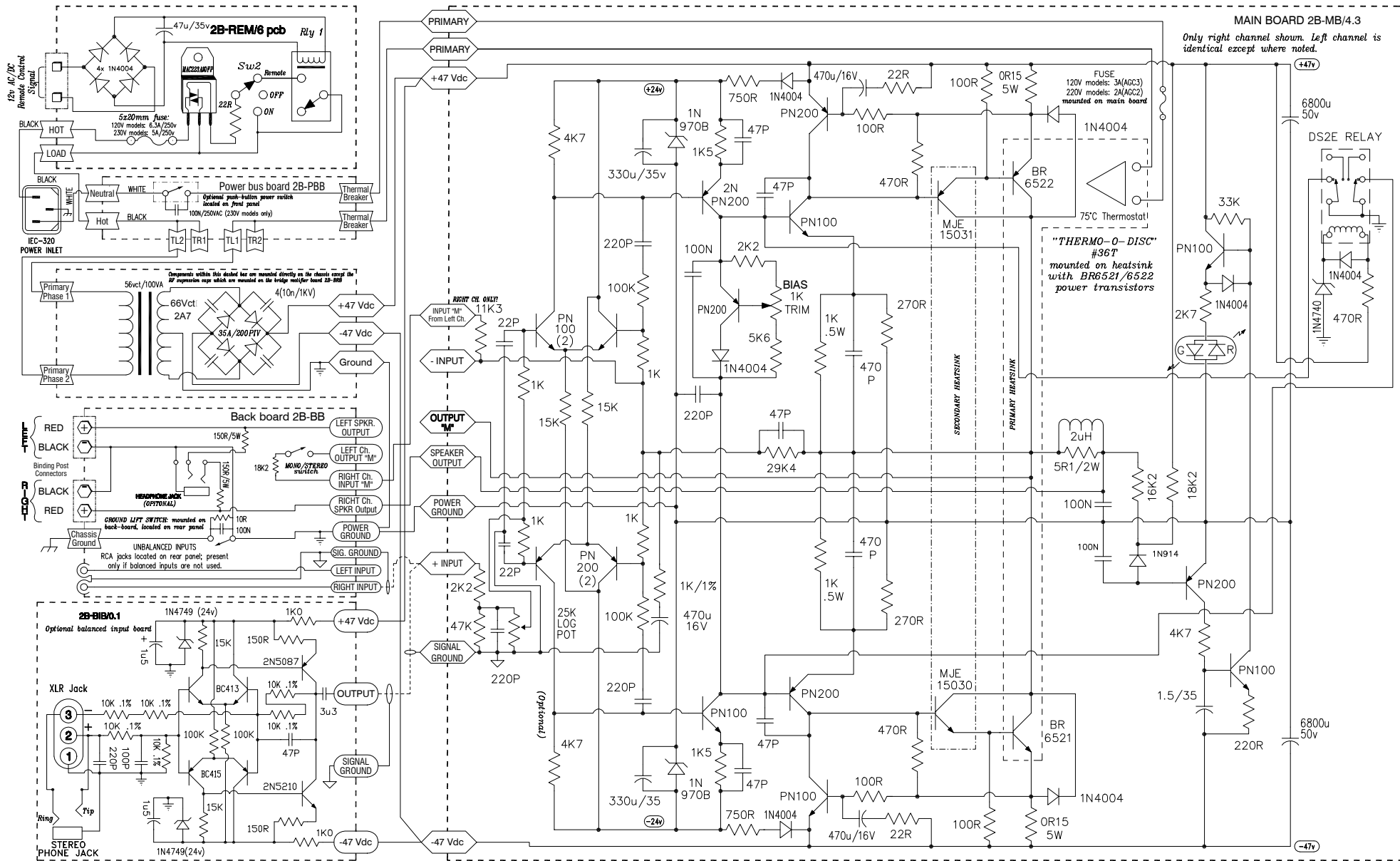
NOTES

- ONLY RIGHT CHANNEL SHOWN. LEFT CHANNEL IS IDENTICAL EXCEPT WHERE NOTED.
- THIS SYMBOL INDICATES INTER-CONNECTION VIA PCB CARD EDGE
- ALL CAPACITORS ARE IN MICRO FARADS EXCEPT WHERE NOTED.
- ALL RESISTORS ARE 1/4 WATT/1% EXCEPT WHERE NOTED.

BRYSTON
 P.O. BOX 2170, 477 NEAL DRIVE, PETERBOROUGH, ONTARIO, CANADA K9J 7Y4
 PHONE: 705-742-5325 FAX: 705-742-0882 INTERNET: www.bryston.ca

File name: 2BMB33-S
 Date: JAN 1996
 Revision: 3.3
 By:

2B-LP POWER AMPLIFIER SCHEMATIC

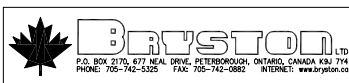


MAIN BOARD 2B-MB/4.3
 Only right channel shown. Left channel is identical except where noted.

LABEL This symbol indicates interconnection via card edge connector.
 LABEL This symbol indicates interconnection via soldered wires.

LABEL This symbol indicates interconnection via quick dis-connect tabs & sockets

ALL CAPACITORS ARE IN MICRO FARADS EXCEPT WHERE NOTED.
 ALL RESISTORS ARE 1/4 WATT/1% EXCEPT WHERE NOTED.



File name: 2B-LP-REM-SCH02
 Date: 30 MAY 2000
 Revision: 0.2
 By: [Signature]

2B-LP POWER AMPLIFIER SCHEMATIC