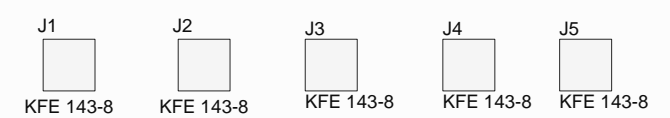
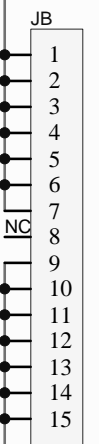
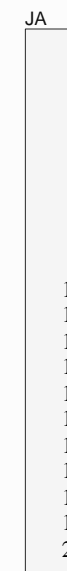
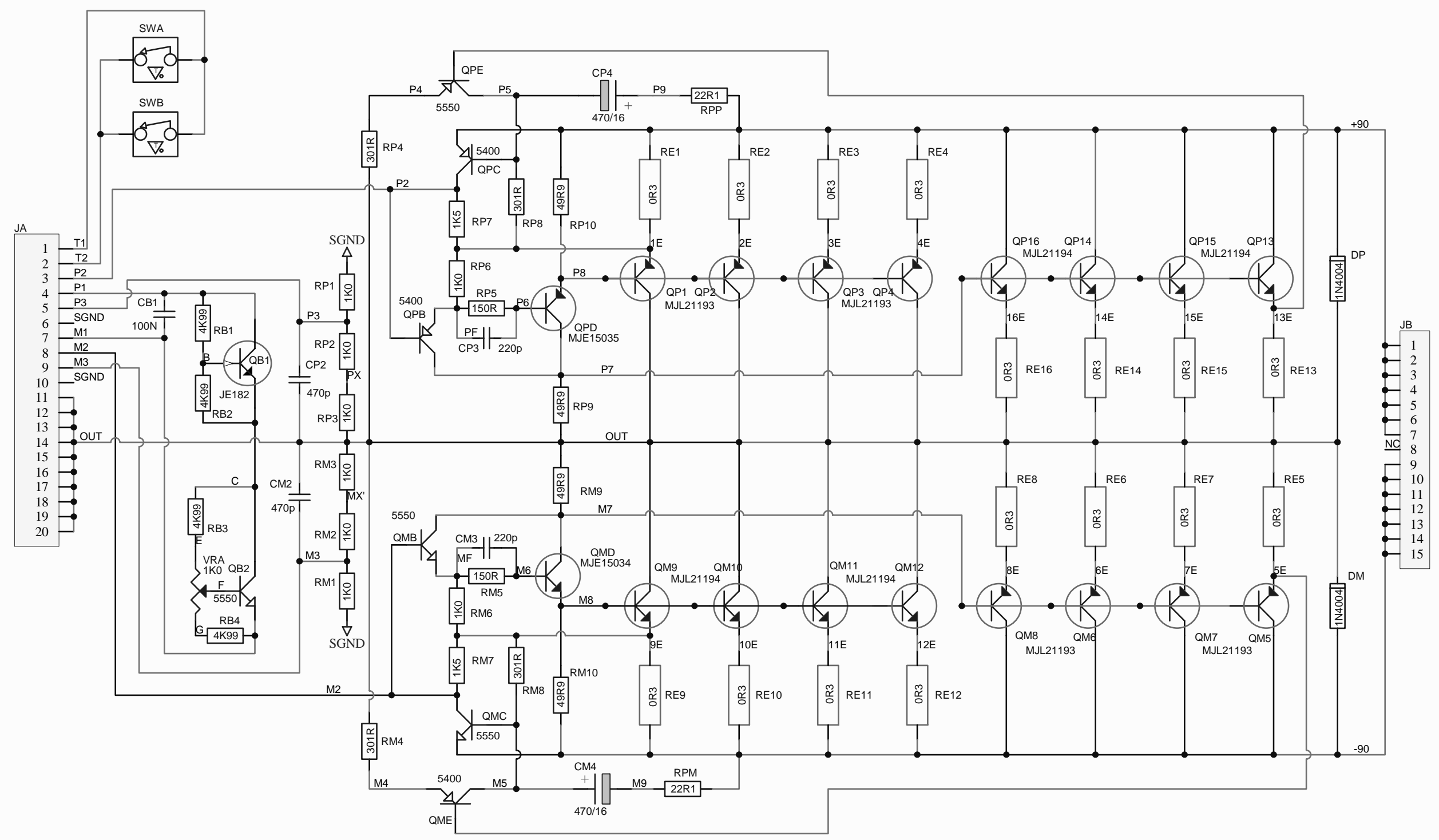


This overall schematic is preliminary. It is included in this set of schematics to provide an overview of the 28Bsst function and signal flow. For specific circuit details always refer to the specific sub-circuit schematics on the following pages.

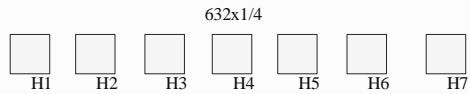
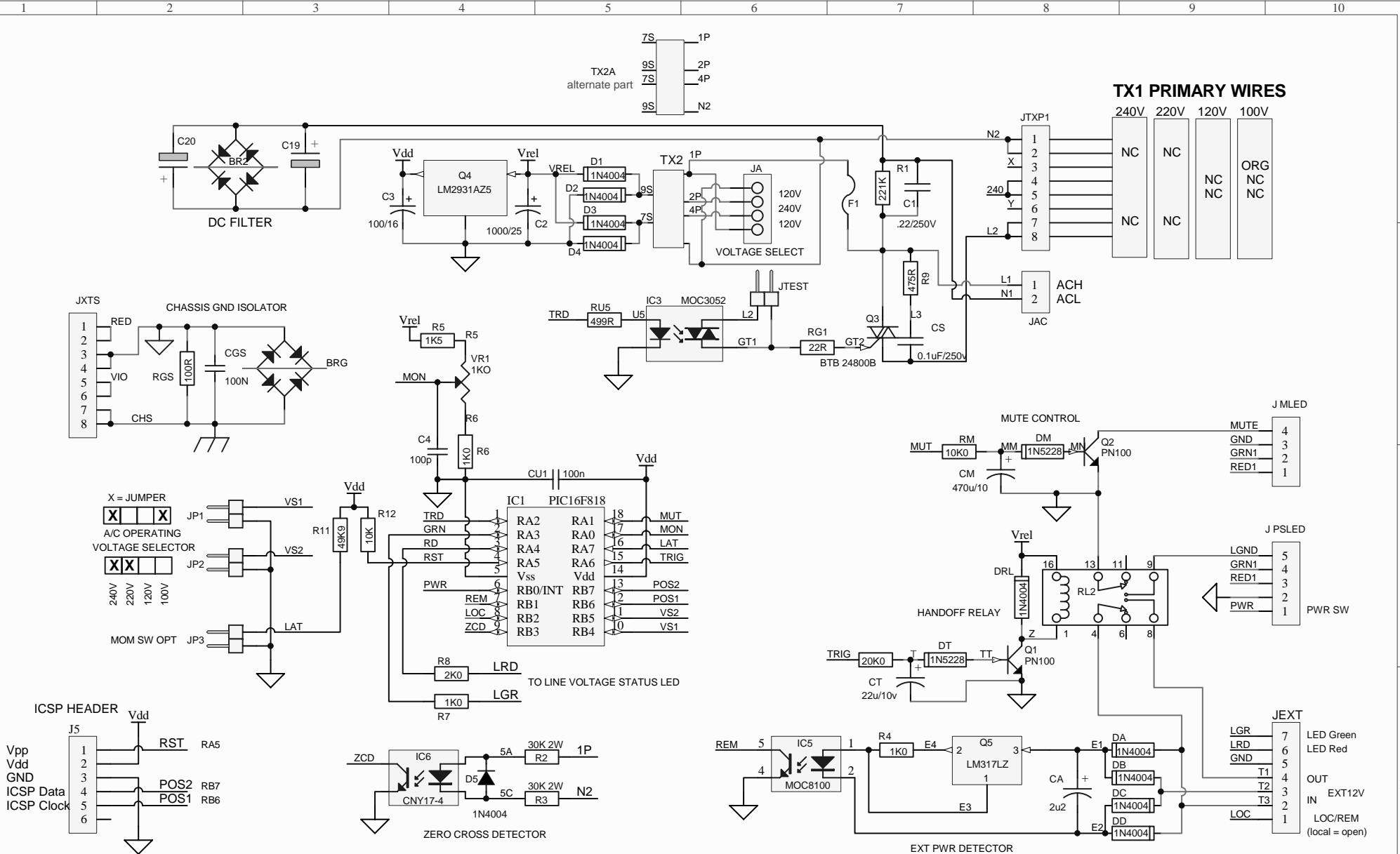



BRYSTON LTD
P.O. BOX 2170, 677 NEAL DR. PETERBOROUGH, ON. CANADA K9J 7Y4
PHONE (705) 742-5325 FAX (705) 742-0882 WWW.BRYSTON.CA

Title : **28B SST POWER BOARD**

File : _____ Sheet : **1** of _____ Rev : **4**

Date : _____ Drawn : _____





BRYSTON

LTD
PHONE (705) 742-5325 FAX (705) 742-0882 WWW.BRYSTON.CA

Size :
A

Title : **28B SST Micro Soft Start**

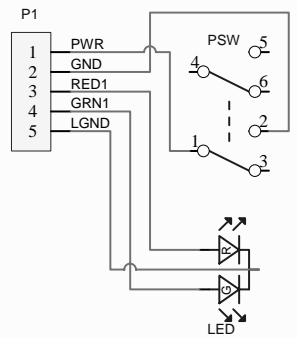
File : _____

Date : _____

Rev : **R8**

Sheet : _____ of _____

Drawn : _____



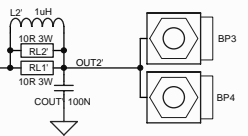
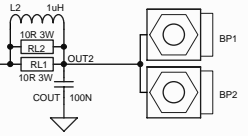
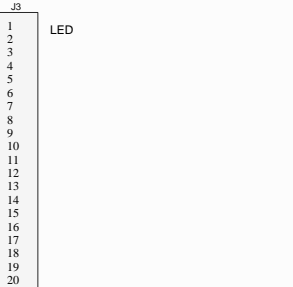
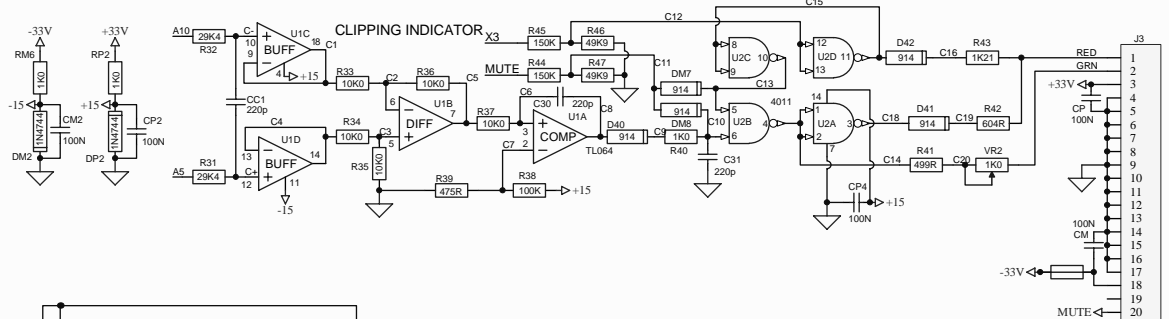
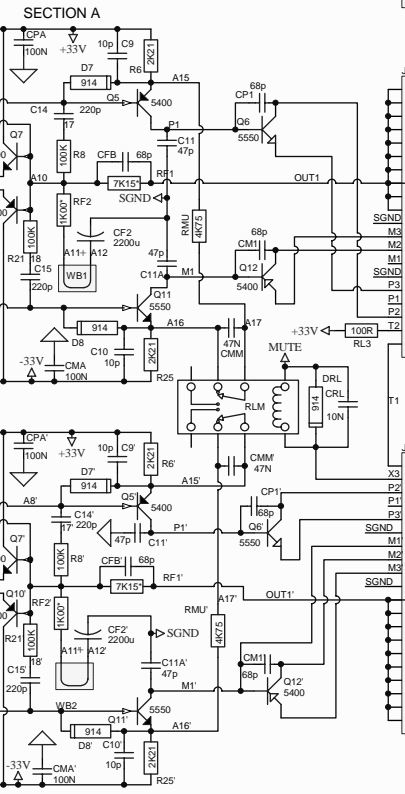
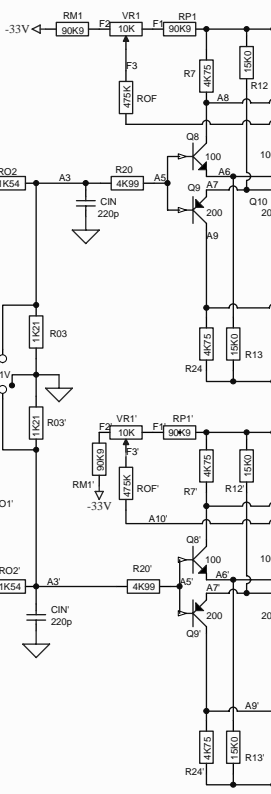
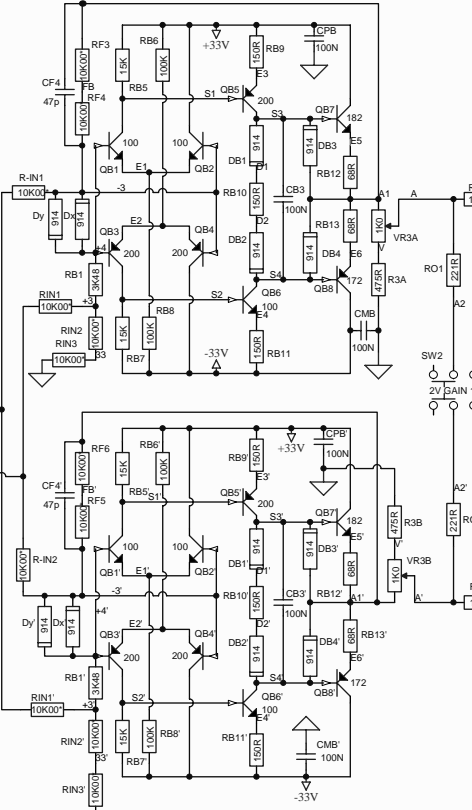
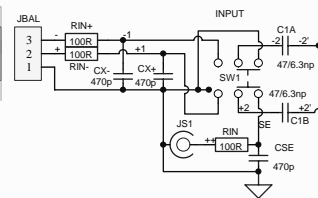
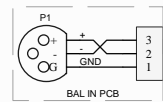
440x1/4" PAN HEAD



BRYSTON LTD

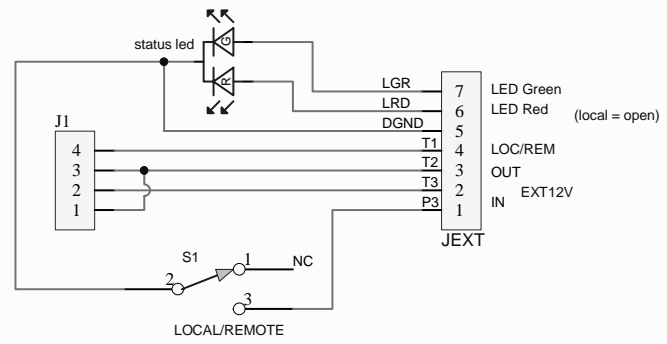
P.O. BOX 2170, 677 NEAL DR. PETERBOROUGH, ON. CANADA K9J 7Y4
 PHONE (705) 742-5325 FAX (705) 742-0882 WWW.BRYSTON.CA


Title :	28B LED PWR SW		
File :	Sheet :1	of	Rev : 1
Date :	Drawn :		



ECO 956 - Oct 2, 2007
 L2 changed to 1uH - pn - c120-1M
 CPl, CP1' and CM1, CM1' changed to 68pF - pn - ca880G25COGH63J5

		B Size :
<h3>28B IN OUT SCHEMATIC</h3>		
File : 28BSST IN OUT SCH R5	Sheet : of	
Date : Oct 2, 2007	Drawn : ST	Rev : 5



 BRYSTON LTD <small>P.O. BOX 2170, 677 NEAL DR. PETERBOROUGH, ON. CANADA K9J 7Y4 PHONE (705) 742-5325 FAX (705) 742-0882 WWW.BRYSTON.CA</small>	
Title :	28B EXT POWER R1
File :	Sheet : 1 of Rev : 1
Date :	Drawn :

1 2 3 4 5 6 7 8 9 10

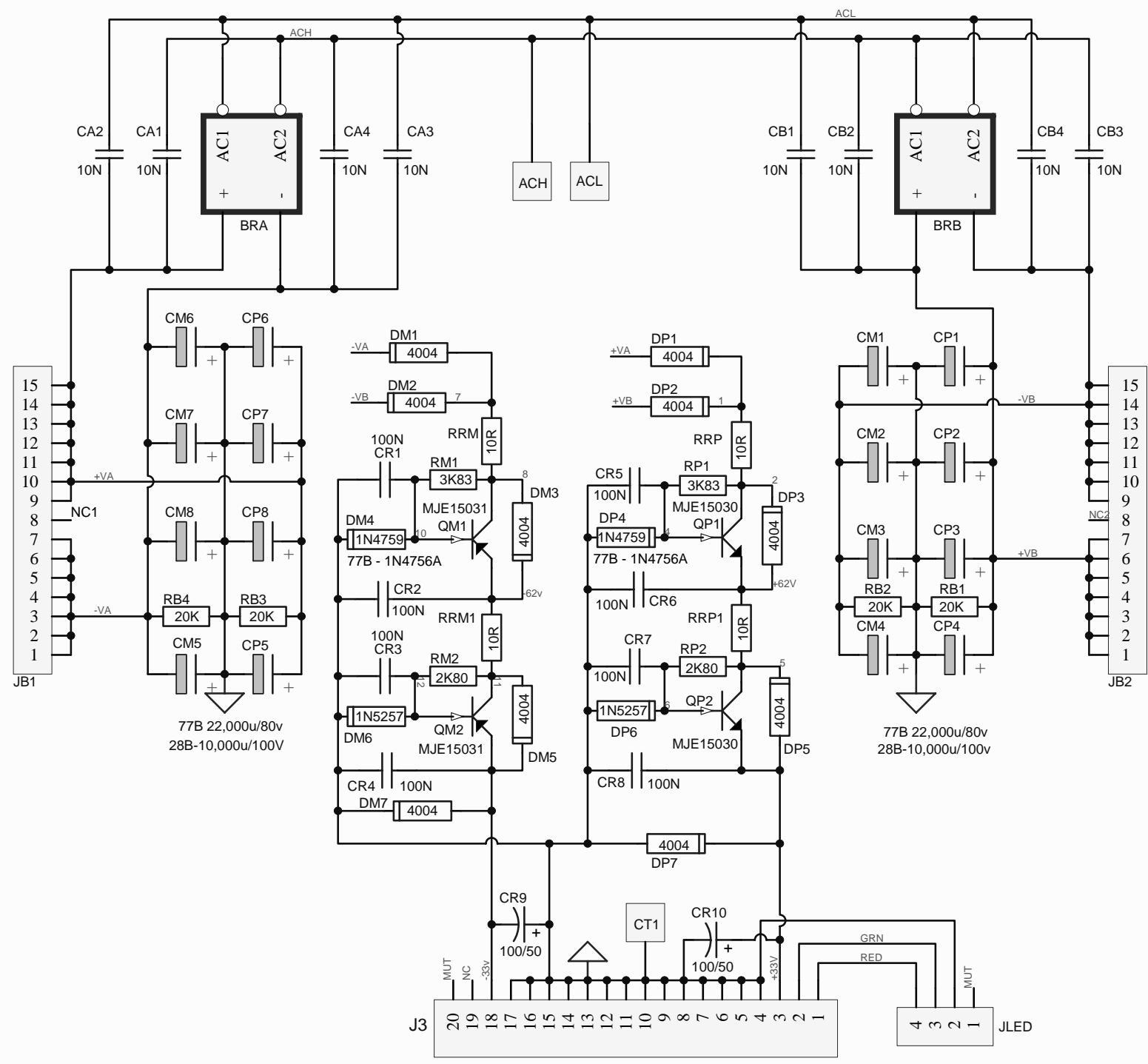
A A

B B

C C

D D

E E



H1 H2 H3 H4 H5 H6

BRYSTON LTD
 P.O. BOX 2170, 677 NEAL DR. PETERBOROUGH, ON. CANADA K9J 7Y4
 PHONE (705) 742-5325 FAX (705) 742-0882 WWW.BRYSTON.CA

Title :	28B POWER SUPPLY PSB R3		
File :	Sheet : 1 of	Rev : 5	
Date :	Drawn :		

1 2 3 4 5 6 7 8 9 10