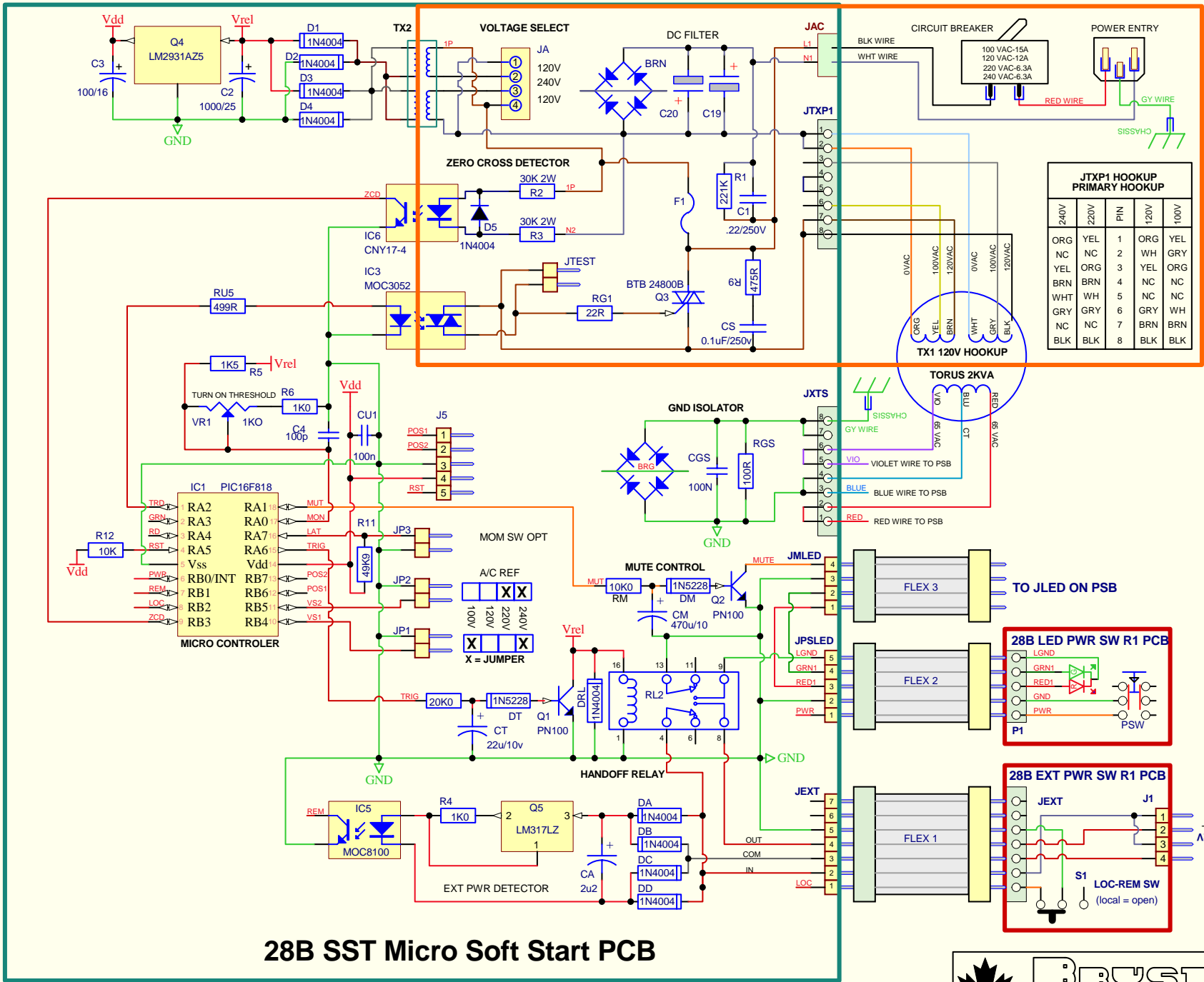


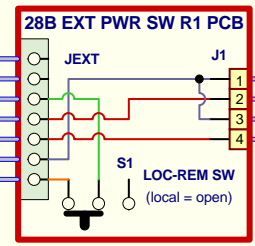
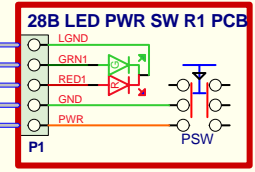
**SAFETY CRITICAL PARTS**

**SAFETY CRITICAL PARTS**



**JTXP1 HOOKUP PRIMARY HOOKUP**

240V	220V	PIN	120V	100V
ORG	YEL	1	ORG	YEL
NC	NC	2	WH	GRY
YEL	ORG	3	YEL	ORG
BRN	BRN	4	NC	NC
WHT	WH	5	NC	NC
GRY	GRY	6	GRY	WH
NC	NC	7	BRN	BRN
BLK	BLK	8	BLK	BLK

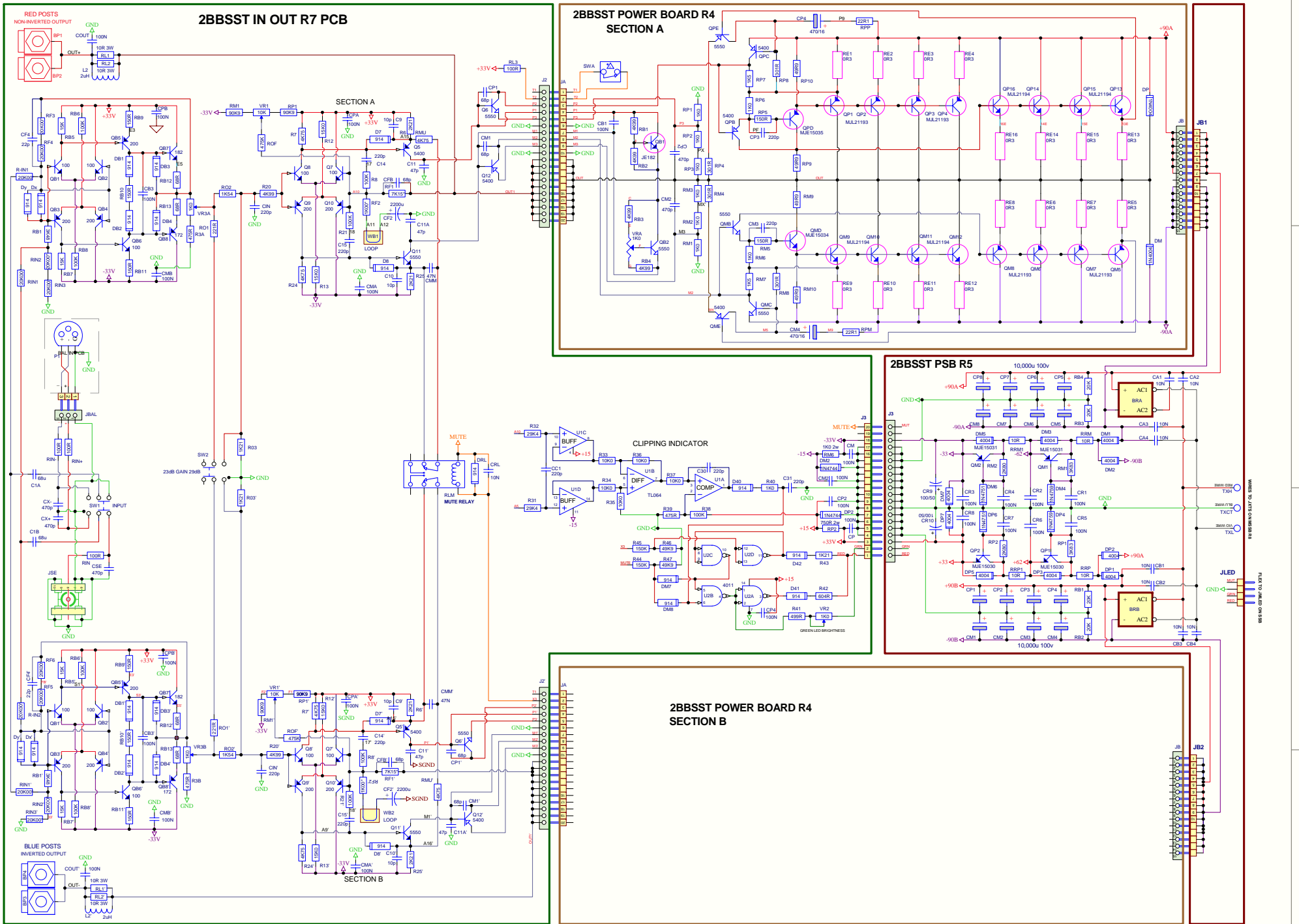


**28B SST Micro Soft Start PCB**

**FOR AUDIO SECTION SEE  
28B SST2 CHANNEL SCHEMATIC**

**BRYSTON LTD**  
 P.O. BOX 2170, 677 NEAL DR. PETERBOROUGH, ON, CANADA K9J 7Y4  
 PHONE (705) 742-5325 FAX (705) 742-0882 WWW.BRYSTON.CA

Title : **28B SST2 PWR OVERVIEW SCParts**  
 Date : 1002 Drawn : ST Sheet : 1 Rev :



**28BSST2 CHANNEL SCHEMATIC**

File:	Sheet: 1 of	Size: C
Date: 1003	Drawn: ST	Rev:

**28BSST2 CHANNEL SCHEMATIC**