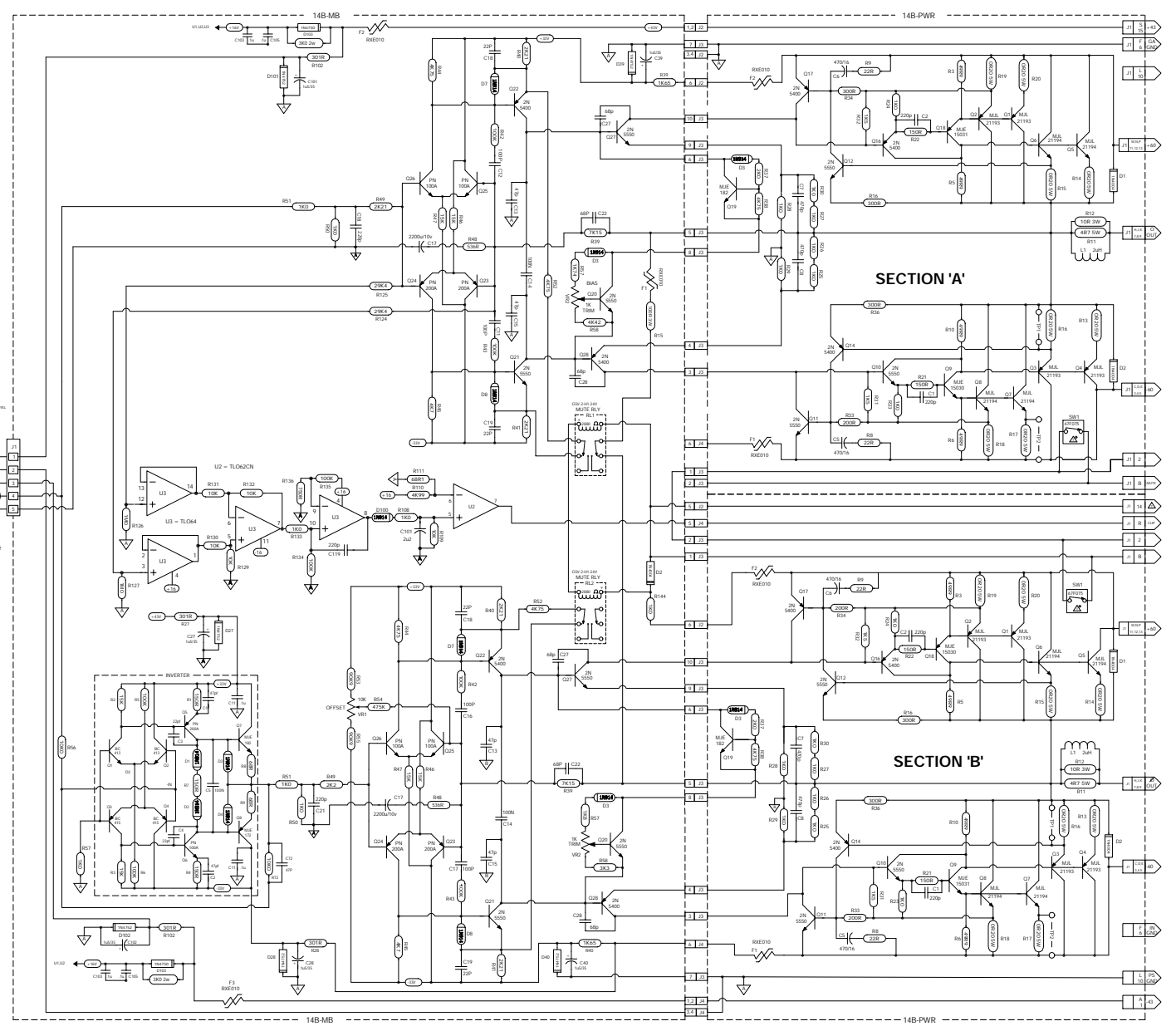
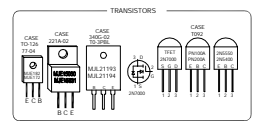
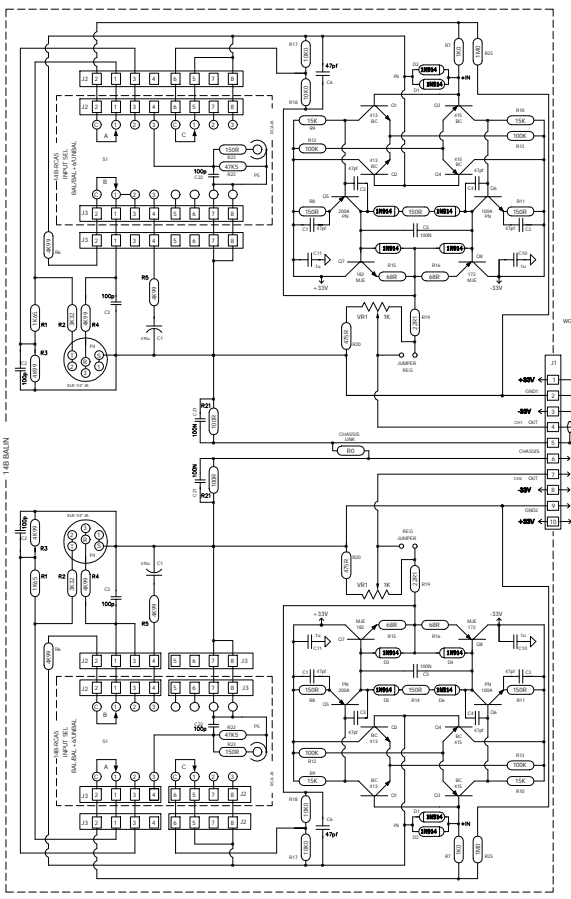


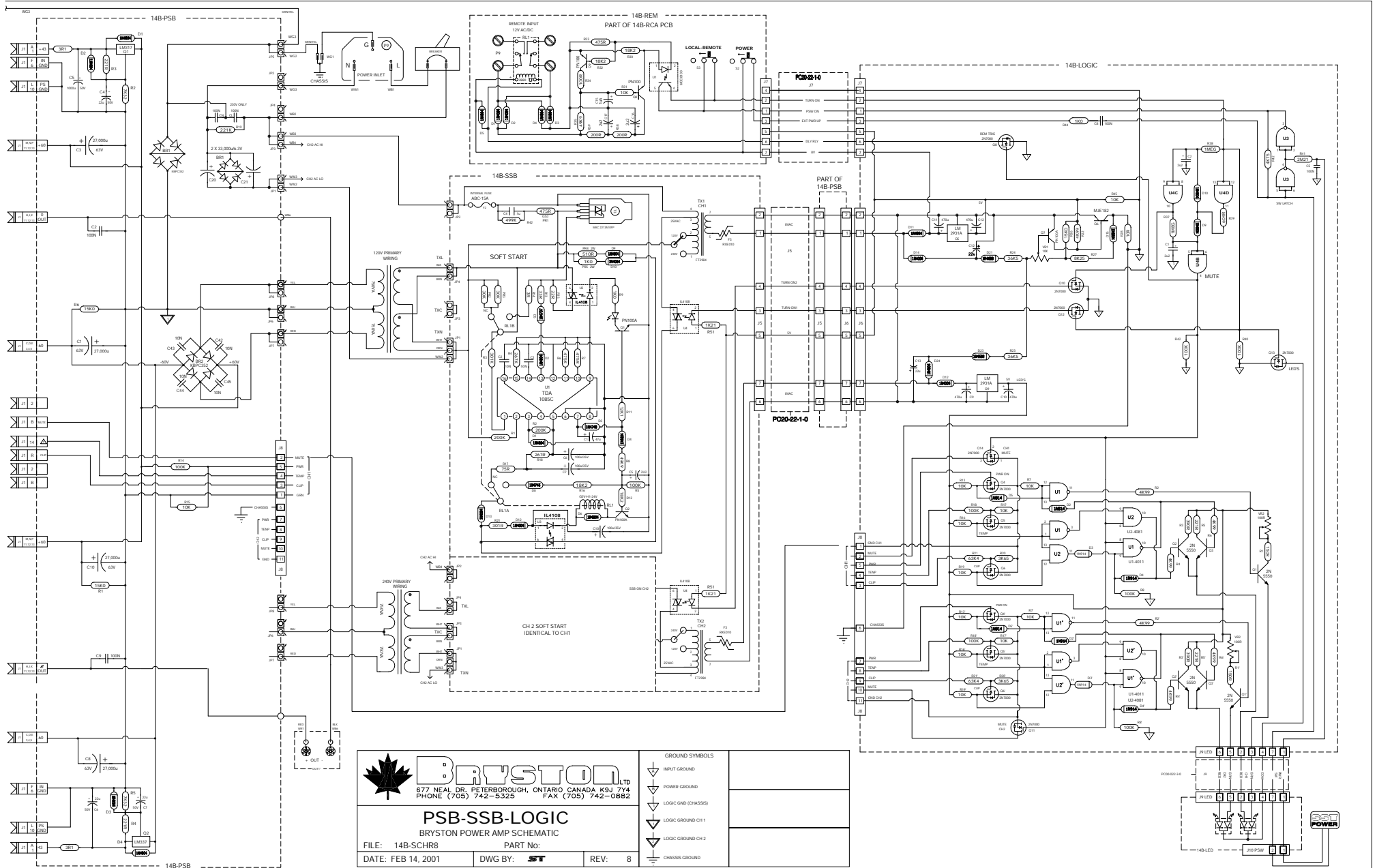


INPUT, MAIN + POWER PCB'S
SCHEMATIC DIAGRAM

FILE: 14BSCHR8 PART No:
DATE: 5 Nov 2001 DWG BY: ST REV: 9

REVISION 8 FEB 14, 2001
14B-MB PCB - CHANGED R50 - R51 TO 1K00
14B-MB PCB - CHANGED R46 TO 520R
14B-PWR PCB - CHANGED R33,R34,R35 TO 490R
14B-MB PCB R10 - CHANGED REGULATOR CIRCUITS
MODED TO 4.7R
REV 9 NOV 5, 01 ADDED R25 TO INPUT SWITCH BOARD





BRUSTON
 677 NEAL DR. PETERBOROUGH, ONTARIO CANADA K9J 7Y4
 PHONE (705) 742-5325 FAX (705) 742-0882

PSB-SSB-LOGIC
 BRUSTON POWER AMP SCHEMATIC
 FILE: 14B-SCHR8 PART No:
 DATE: FEB 14, 2001 DWG BY: SFT REV: 8

- GROUND SYMBOLS
- INPUT GROUND
 - POWER GROUND
 - LOGIC GND (CHASSIS)
 - LOGIC GROUND CH 1
 - LOGIC GROUND CH 2
 - CHASSIS GROUND