

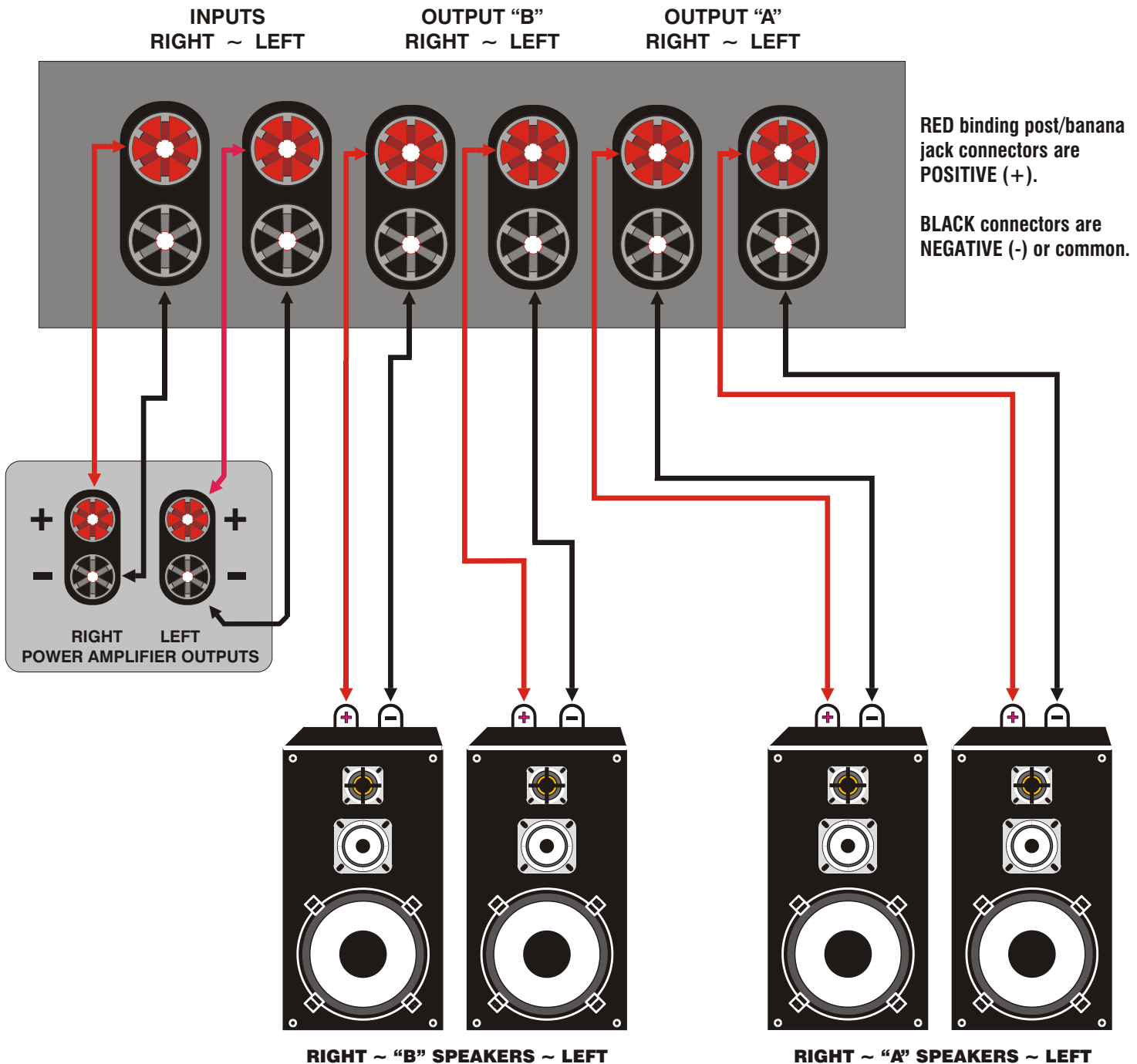
BRYSTON TWO WAY SPEAKER SWITCH BOX HOOKUP



ON/OFF Switches: when pushed in are ON, when released (out) are OFF.

HEADPHONE JACK: 1/4" stereo phone jack, current limited.

GROUND: BLACK binding posts and SLEEVE of headphone jack. Common to all inputs and outputs including headphone jack.



BRYSTON

DWG# 2WSB-SC1

REVISION #

APPROVED BY

K MARCH 87

