

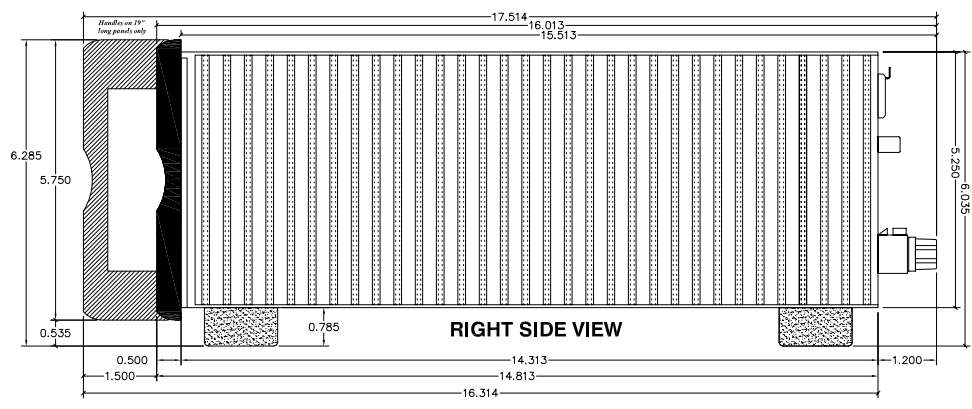
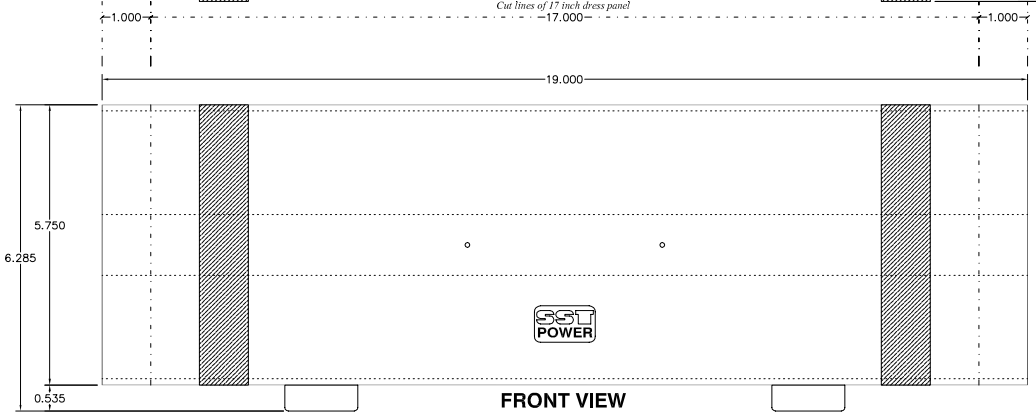
4B/7B SST C-Series POWER AMPLIFIERS EXTERIOR DIMENSIONS

FILE: 4B7Bsst-C-Series-EXTERIOR-DIMENSIONS.dwg
PART No: -
REVISION: 1
Rev/Iss: 2008-02-20
Created: 2003-04-29
BY:


BRYSTON LTD
P.O. BOX 2170, 677 NEAL DRIVE, PETERBOROUGH, ONTARIO, CANADA K9J 7Y4
PHONE: 705-742-5325 FAX: 705-742-0882 INTERNET: www.bryston.ca

ALL DIMENSIONS IN INCHES

On 17 inch units the dress panel is 2 inches shorter than the 19" panel (1 inch is removed from either end) and there are no handles.
N.B. Height of rubber feet may vary by ± 0.032 "



4B & 7B SST-PRO POWER AMPLIFIERS EXTERIOR DIMENSIONS

FILE: 4B7Bsst-EXTERIOR-DIMENSIONS.dwg/pdf
 PART No: 0.1
 REVISION: 11 JUNE 2003
 Created: 29 APR 2003
 BY: 

BRAYSTON LTD
 P.O. BOX 2170, 677 NEAL DRIVE, PETERBOROUGH, ONTARIO, CANADA K9J 7Y4
 PHONE: 705-742-5325 FAX: 705-742-0882 INTERNET: www.brayston.co

ALL DIMENSIONS IN INCHES

